

ROCK | MICRO SERIES



Specialty Lights | Micro Series | (L x W x H): 1.25" x 1.00" x 0.56"
2W (93lm) | 10.5-16 VAC | Integrated LED

FEATURES

- The Rock projects a beam of light forward and down from the mounting position, perfect for illuminating shrubs, statues and planters that are in front of and below the mounting position.
- U.S.-made light engine and driver.
- CNC-machined, corrosion-resistant 6061 aluminum or C360 Brass.
- IP67-rated, fully potted housing for sealed water ingress protection; submersible build available upon request.
- Dimmable configurations available; see Specifications and ordering guide for details. Standard fixtures are non-dimmable.
- Built-in surge protector safeguards internal electronics from voltage fluctuations and power surges.
- High-performance 3-step bin LED with an L70 rating of over 100,000 hours.
- [20-year manufacturer limited warranty.](#)
- ETL listed to the UL 1838 standard, with IES files available (See page 4).
- 3000K fixtures available in all finishes, wattages, and optics, in stock and ready to ship. Other color temperatures are non-stock and require a lead time of 5-7 business days.



AVAILABLE FINISHES:



BLK
Black



BR
Brass

POWER CONSUMPTION

Candela Power & IES charts can be found on page 4

COLOR TEMPERATURE	WATTAGE	VA	LUMENS	ADDITIONAL COLOR TEMP OPTIONS	
● 3000K*	2W	2VA	93LM	● 2700K ● Amber ● Royal Blue ● Red ● Lavender	● 5000K ● Blue ● Green ● Fuchsia

* Indicates stocked items. Non-stocked items require 5-7 business days additional lead time, special order deposit and are non-refundable. Fuchsia and Lavender require additional lead time above the standard 5-7 business days.

APPLICATION NOTES

Luminaire must not be subjected to direct sunlight.

SPECIFICATIONS

Materials

CNC-machined from billet 6061-T6 aluminum or C360 brass with 316 stainless steel hardware.

Finish

BLK: Marine-grade black anodize for lasting performance. UV/corrosion protection.
BR: Raw, brushed brass; will tarnish/patina naturally.

Shroud Options

Full and front glare shields available (See page 2-3 for details).

Wattage

2W delivering up to 93lm.

Voltage

10.5-16VAC. Requires low voltage transformer or step down transformer.

Light Engine

US Built Led module with Cree Diode and Metal core PCB for better heat dissipation.
CRI 80 (CRI 90 upon request) CCT 2700K & 3000K. McAdam 3 step LED binning to ensure color consistency.

Optics

Forward-throw beam directs light outward and downward from the mounting point, ideal for illuminating features positioned below and in front of the fixture.

Lead Wire

90" 22 AWG tinned copper.

Dimming Options

Standard fixtures are non dimmable. Dimmable Option valuable with constant current LED power supply connected in series with the fixtures.
Dimming Method: Phase Dimming (TRIAC/ELV) or 0-10V dimming.

Mounting

Integrated (machined) dual mounts, Ø0.170 in [4.31 mm] holes; use #8/M4 fasteners (not included).

Listings

ETL listed to UL1838, IP67 Standard.



ROCK | Micro Series Specialty Light

SPECIALTY | MICRO

ORDERING GUIDE

EXAMPLE: ROCK-BLK-2700K

MODEL

ROCK ROCK Specialty Light Fully Integrated	WATTAGE	FINISH	COLOR TEMPERATURE
	2W (Default/Blank) DIM (Dimmable)	BLK (Black) BR (Brass)	3000K (Default/Blank) 2700K 5000K AMB (Amber) BLU (Blue) RBL (Royal Blue) GRN (Green) RED (Red) FSA (Fuchsia) LVR (Lavender)

OPTIONAL ACCESSORIES

SHIELD
MM FRONT SHIELD BLK (Micro Series Front Shield Black)
MM FULL SHIELD BLK (Micro Series Full Shield Black)

TRANSFORMERS

BUILD THE SKU LEFT → RIGHT

Pattern: [WATTAGE (VA)]-[MODEL]-[CONNECTION TYPE]

Items tagged "(Default/Blank)" are not included in the SKU.

EXAMPLE: 602-WLED SS-DW

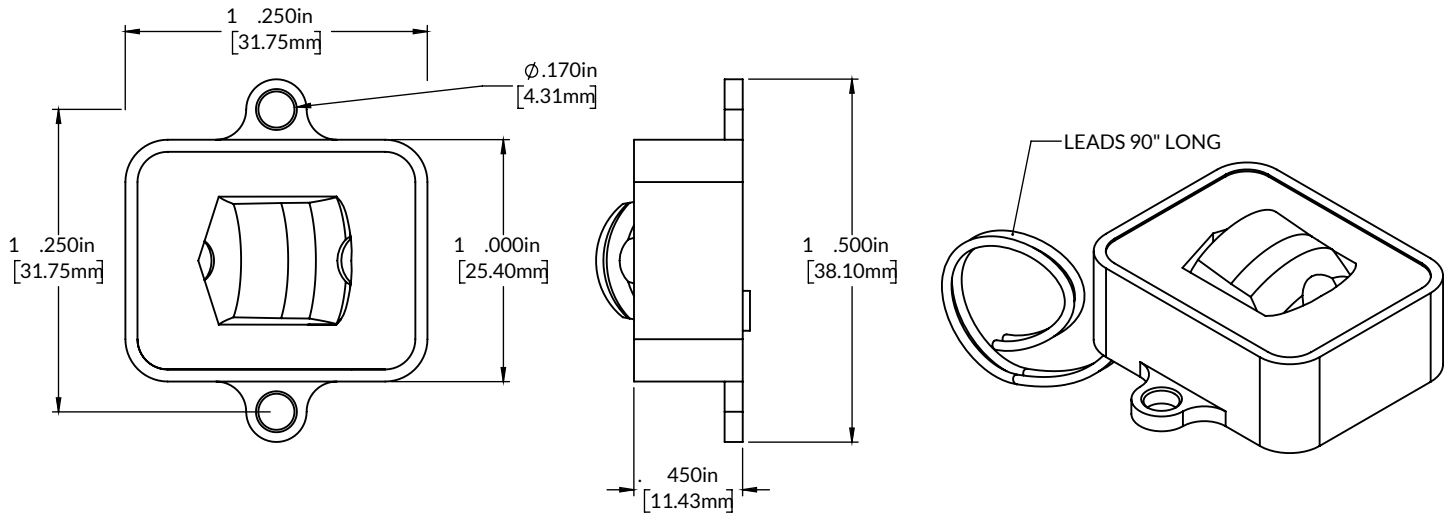
WATTAGE (VA)	MODEL	CONNECTION TYPE
62 102 152 302 602 902 1202	WLED SS (Low Voltage Magnetic Transformer 15V Tap W/ LED & Surge Protection)	Pluggable 120VAC Plug-In (Default/Blank) DW (Direct Wire 120VAC)
60WNL	INLINE (60W No-Load Inline Electronic Transformer 120VAC Input, 12VAC Output)	Direct Wire 120VAC (Default/Blank)
60	MD (Mammoth Dynamics phase-dimmable constant current driver (DC))	Direct Wire 120VAC (Default/Blank)



ROCK | Micro Series Specialty Light

SPECIALTY | MICRO

FIXTURE DRAWINGS



OPTIONS & ACCESSORIES

Shield
Options:



[MICRO SERIES
FRONT SHIELD
BLACK](#)



[MICRO SERIES
FULL SHIELD
BLACK](#)



PHOTOMETRICS

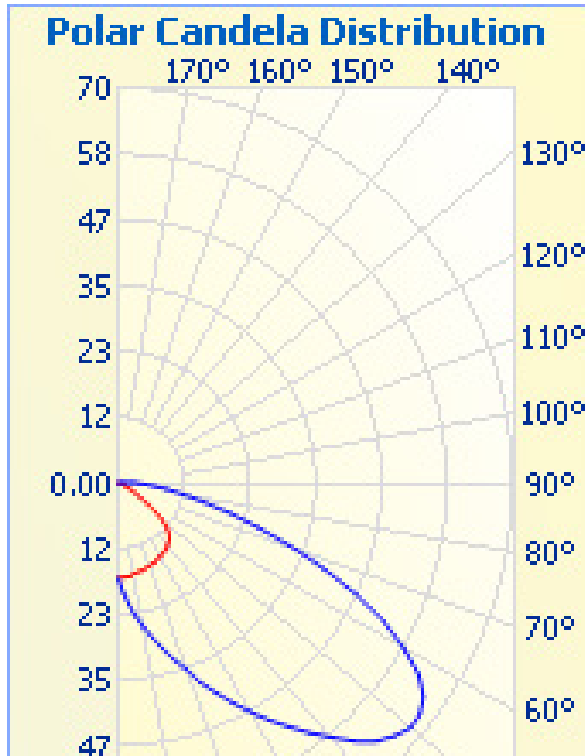
ROCK

Input Power	2 W
Color Temperature (CCT)	3000 K
Color Rendering Index (CRI)	80+
Beam Spread	OWL
Max Candela Power	67cd
Delivered Lumens	93
Efficacy	46 lm/W

CCT Multiplier

Color Temperature	Multiplier
2700 K	.97
3000 K	1.00
4000 K	1.05

Polar Graph - Intensity



Cone of Light - Illuminance

	Illuminance at a Distance		
	Center Beam fc	Beam Width	
8.3ft	0.24 fc	7.9 ft	14.8 ft
16.7ft	0.06 fc	15.9 ft	29.9 ft
25.0ft	0.03 fc	23.8 ft	44.7 ft
33.3ft	0.02 fc	31.7 ft	59.6 ft
41.7ft	0.01 fc	39.7 ft	74.6 ft
50.0ft	0.007 fc	47.6 ft	89.4 ft

■ Vert. Spread: 50.9°
■ Horiz. Spread: 83.6°

Resources

[ROCK Specialty Light – IES Version \(ZIP\)](#)

[ROCK Specialty Light – PDF Version \(ZIP\)](#)

[Submit IES File Request](#)

Standard IES files typically represent the highest wattage, 3000K CCT, and available optics. For other configurations, submit one fixture variation per request.

[ROCK Specialty Light – Install Guide](#)

Product Page / IES Files / Online Ordering:
<https://gardenlightled.com/product/rock-micro-11-series/>

Warranty Information:
gardenlightled.com/warranty/