



DATE:	PROJECT:
TYPE:	CATALOG:

WW | WALL WASHER

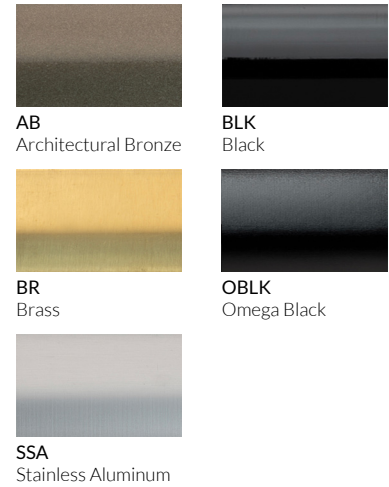
Wall Washers | 2.00"Ø
2 - 9W (175 - 727lm) | 10.5-16 VAC | Integrated LED



FEATURES

- U.S.-made light engine and external driver (3" x 5/8"); driver is fully encapsulated in weatherproof PVC housing (See fixture drawing on page 3 for more details).
- CNC-machined, corrosion-resistant 6061 aluminum or C360 Brass; IP67 rated.
- 180-degree vertical adjustable knuckle.
- Dimmable configurations available; see Specifications and ordering guide for details. Standard fixtures are non-dimmable.
- Built-in surge protector safeguards internal electronics from voltage fluctuations and power surges.
- High-performance 3-step bin LED with an L70 rating of over 100,000 hours.
- [20-year manufacturer limited warranty.](#)
- ETL listed to the UL 1838 standard, with IES Files Available (See page 4).
- 3000K fixtures available in all finishes, wattages, and optics, in stock and ready to ship. Other color temperatures are non-stock and require a lead time of 5-7 business days.

AVAILABLE FINISHES:



POWER CONSUMPTION

Candela Power & IES charts can be found on page 4

COLOR TEMPERATURE	WATTAGE	VA	LUMENS	ADDITIONAL COLOR TEMP OPTIONS	
● 3000K*	2W	2VA	175LM	● 2700K	● 5000K
	4W	7VA	364LM	● Amber **	● Blue
	6W	11VA	534LM	● Royal Blue	● Green
	9W	15VA	727LM	● Red **	● Fuchsia
				● Lavender	

* Indicates stocked items. Non-stocked items require 5-7 business days additional lead time, special order deposit and are non-refundable. Fuchsia and Lavender require additional lead time above the standard 5-7 business days.

** Amber not available in 6W or 9W and red not available in 9W.

SPECIFICATIONS

Materials

CNC-machined from billet 6061-T6 aluminum or C360 brass with 316 stainless hardware.

Finish

BLK/AB: Corrosion-resistant E-coat primer under a hard enamel finish that delivers strong UV protection.

BR: Raw, brushed brass; will tarnish/patina naturally.

Omega Black: Military-grade treatment engineered for harsh/coastal sites with exceptional scratch/corrosion resistance.

SSA: Marine-grade anodization for lasting corrosion resistance and durability.

Shroud Options

Optional snap-on shroud mounts directly to the fixture, shielding the source from direct view. (See page 2-3 for details).

Wattage

2, 4, 6 or 9W delivering up to 727lm (SSA finish).

Voltage

10.5-16VAC. Requires low voltage transformer or step down transformer.

Light Engine

US Built Led module with Cree Diode and Metal core PCB for better heat dissipation. CRI 80 (CRI 90 upon request) CCT 2700K & 3000K. McAdam 3 step LED binning to ensure color consistency.

Optics

120° wide-angle flood.

Lead Wire

36" 18 AWG tinned copper.

Dimming Options

Standard fixtures are non dimmable. Dimmable Option valuable with constant current LED power supply connected in series with the fixtures. Dimming Method: Phase Dimming (TRIAC/ELV) or 0-10V dimming.

Mounting

Comes standard with the LV180 stake and mounts using 1/2"-14 NPS fittings, fully compatible with all Garden Light LED mounting accessories. (See page 2 for details)

Certifications & Ratings

ETL listed to UL1838, IP67 Standard.



ORDERING GUIDE

EXAMPLE: **WW-35-F-OBLK-2700K-WW SHROUD-EXT20 OBLK**

MODEL

WW Wall Washer Light Fully Integrated	WATTAGE	OPTICS	FINISH	COLOR TEMPERATURE
	DIM (Dimmable)	F (Flood)	AB (Architectural Bronze) BLK (Black) BR (Brass) OBLK (Omega Black) SSA (Stainless Aluminum)	3000K (Default/Blank) 2700K 5000K AMB (Amber) BLU (Blue) RBL (Royal Blue) GRN (Green) RED (Red) FSA (Fuchsia) LVR (Lavender)
	20 (2W)			
	35 (4W)			
	50 (6W)			
	75 (9W)			
	75C (9W - 1000LM)			

OPTIONAL ACCESSORIES

SHROUD WW SHROUD (Wall Washer Shroud)	Mounting		Extensions EXT6 XXX (6" Extension) EXT12 XXX (12" Extension) EXT20 XXX (20" Extension) EXT30 XXX (30" Extension)
	GROUND MOUNT LV180 (LV180 Stake (Included/Blank)) LV150 (LV150 Heavy Duty Stake 4"D X 19"H) SURFACE MOUNT MMB XXX (Mini Universal Mounting Base 2.375" Diameter x 1" H) TREE MOUNT TMAB (Tree Mount) TMSTR3 (Tree Mount Strap 3') TMSTR5 (Tree Mount Strap 5')	* XXX represents color/finish option	

TRANSFORMERS

BUILD THE SKU LEFT → RIGHT

Pattern: [WATTAGE (VA)]-[MODEL]-[CONNECTION TYPE]

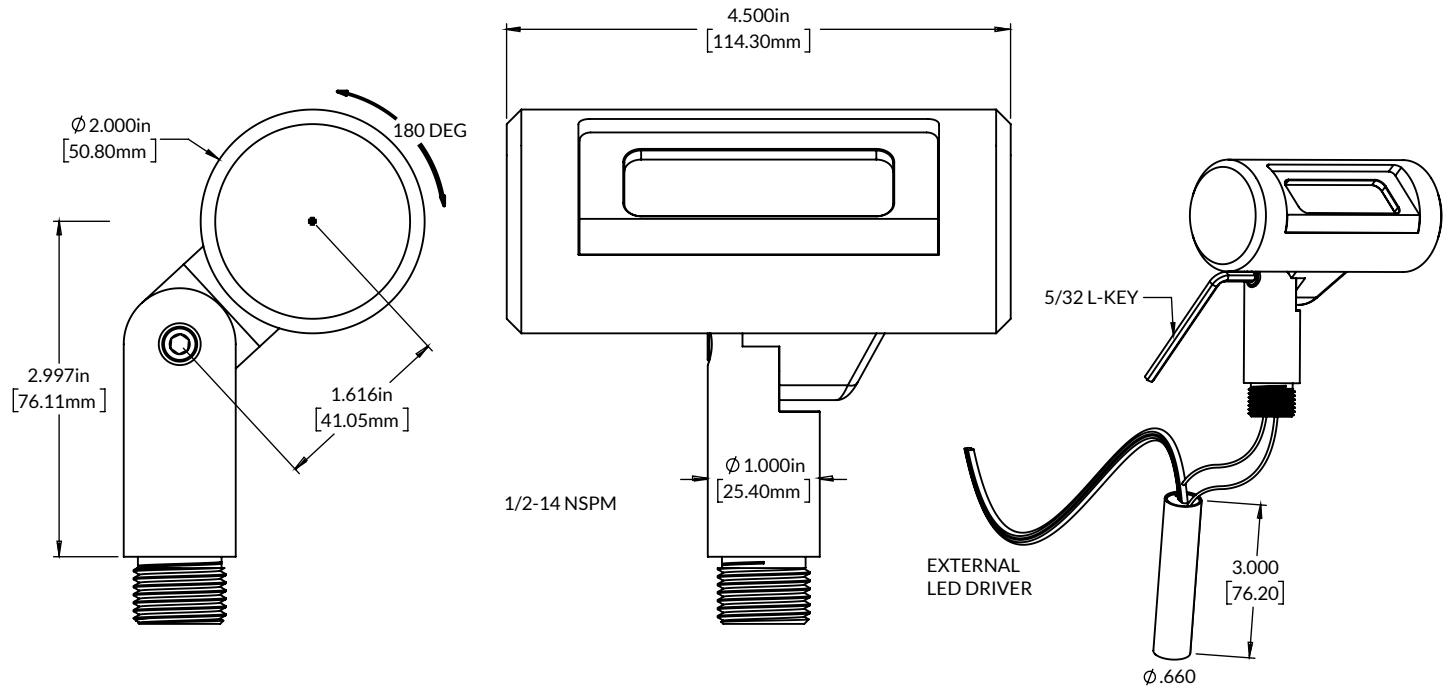
Items tagged "(Default/Blank)" are not included in the SKU.

EXAMPLE: **602-WLED SS-DW**

WATTAGE (VA) 62 102 152 302 602 902 1202 60WNL 60	MODEL WLED SS (Low Voltage Magnetic Transformer 15V Tap W/ LED & Surge Protection) INLINE (60W No-Load Inline Electronic Transformer 120VAC Input, 12VAC Output) MD (Mammoth Dynamics phase-dimmable constant current driver (DC))	CONNECTION TYPE Pluggable 120VAC Plug-In (Default/Blank) DW (Direct Wire 120VAC) Direct Wire 120VAC (Default/Blank) Direct Wire 120VAC (Default/Blank)
---	---	--



FIXTURE DRAWINGS



OPTIONS & ACCESSORIES

Shroud Options:



[WALL WASHER SHROUD](#)

Extensions:



[6" EXTENSION](#)



[12" EXTENSION](#)



[20" EXTENSION](#)

MOUNTING OPTIONS

Ground Mount:



[LV180 STAKE](#)



[LV150 STAKE](#)

Building/Structure Mount:



[MINI UNI MOUNTING BASE](#)

Tree Mount:



[TREE MOUNT](#)



[STRAP 3'](#)



[STRAP 5'](#)



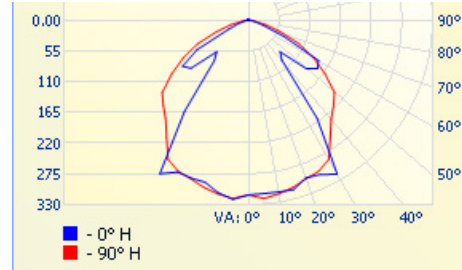
PHOTOMETRICS

Note: Due to differences in internal reflectance, SSA and BLK finishes produce different lumen and candela values as indicated in the tables.

WALL WASHER SSA 120° FLOOD

Input Power	9 W
Color Temperature (CCT)	3000 K
Color Rendering Index (CRI)	80+
Beam Spread	120°
Max Candela Power	322cd
Delivered Lumens	727
Efficacy	57 lm/W

Polar Graph - Intensity



Cone of Light - Illuminance

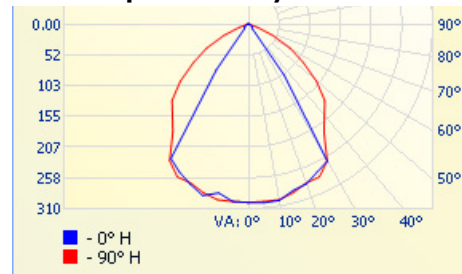
Distance	Illuminance at a Distance		
	Center Beam fc	Beam Width	
8.3ft	4.54 fc	12.5 ft	23.8 ft
16.7ft	1.12 fc	25.2 ft	48.0 ft
25.0ft	0.5 fc	37.7 ft	71.8 ft
33.3ft	0.28 fc	50.2 ft	95.6 ft
41.7ft	0.18 fc	62.9 ft	119.8 ft
50.0ft	0.12 fc	75.4 ft	143.6 ft

■ Vert. Spread: 74.1°
■ Horiz. Spread: 110.3°

WALL WASHER BLK 120° FLOOD

Input Power	9 W
Color Temperature (CCT)	3000 K
Color Rendering Index (CRI)	80+
Beam Spread	120°
Max Candela Power	309cd
Delivered Lumens	485
Efficacy	34 lm/W

Polar Graph - Intensity



Cone of Light - Illuminance

Distance	Illuminance at a Distance		
	Center Beam fc	Beam Width	
8.3ft	4.35 fc	11.1 ft	19.3 ft
16.7ft	1.07 fc	22.4 ft	38.9 ft
25.0ft	0.48 fc	33.5 ft	58.2 ft
33.3ft	0.27 fc	44.7 ft	77.5 ft
41.7ft	0.17 fc	55.9 ft	97.1 ft
50.0ft	0.12 fc	67.1 ft	116.4 ft

■ Vert. Spread: 67.7°
■ Horiz. Spread: 98.7°

CCT Multiplier

Color Temperature	Multiplier
2700 K	.97
3000 K	1.00
4000 K	1.05

Resources

[Wall Washer – IES Version \(ZIP\)](#)

[Wall Washer – PDF Version \(ZIP\)](#)

[Submit IES File Request](#)

Standard IES files typically represent the highest wattage, 3000K CCT, and available optics. For other configurations, submit one fixture variation per request.

[Wall Washer – Install Guide](#)

Product Page / IES Files / Online Ordering:
<https://gardenlightled.com/product/wall-washer/>

Warranty Information:
gardenlightled.com/warranty/