

REV | Revolutionary Spotlight



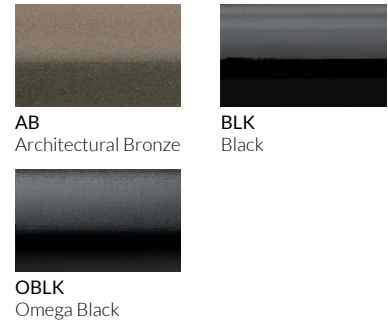
DIRECTIONAL & ACCENT | Revolutionary Series | 2.375"Ø
3 - 7W (260 - 633lm) | 10.5-16 VAC | Integrated LED

FEATURES

- Patented interchangeable XRB-Drive integrates the LED light engine and driver into a single field-replaceable module. The quick-connect plug allows the module to be easily removed and replaced without rewiring, making output, color temperature, or service updates faster and more reliable in the field.
- Tool-free serviceability allows field replacement of light engine, optics, lens, O-rings, and shroud without fixture removal.
- Passive thermal management transfers heat through the fixture body to extend LED life and maintain lumen stability.
- CNC-machined 6061 aircraft-grade aluminum construction, IP66 rated, provides structural strength and corrosion resistance for harsh outdoor and coastal environments.
- Built-in surge protection safeguards internal electronics from voltage fluctuations.
- Precision adjustable knuckle enables accurate aiming and long-term positional stability.
- Breathable insect barrier prevents insect intrusion while allowing pressure equalization.
- High-performance 3-step binned LEDs with L70 >100,000 hours for consistent color output.
- Manufactured in the USA with U.S.-made light engine and driver components.
- [20-year manufacturer limited warranty.](#)
- ETL listed to the UL 1838 standard, with IES Files Available (See page 4).



AVAILABLE FINISHES:



POWER CONSUMPTION

Candela Power & IES charts can be found on page 4

COLOR TEMPERATURE	WATTAGE	VA	LUMENS	ADDITIONAL COLOR TEMP OPTIONS
● 3000K	3W	4VA	260LM	● 2700K
	5W	6.4VA	450LM	
	7W	9.8VA	633LM	

APPLICATION NOTES

*Uplighting Only

Fixture can be built for downlighting applications upon request.

SPECIFICATIONS

Materials

CNC-machined from billet 6061-T6 aluminum with 316 stainless steel hardware.

Finish

BLK/AB: Corrosion-resistant E-coat primer under a hard enamel finish that delivers strong UV protection.

Omega Black: Military-grade treatment engineered for harsh/coastal sites with exceptional scratch/corrosion resistance.

Shroud Options

Equipped with our Lock-In-Load (LNL) system, each fixture supports five swappable shroud styles—all machined to match finish and performance (See page 2 for details).

Wattage

3, 5, or 7W delivering up to 633 lm.

Voltage

10.5-16VAC. Requires low voltage transformer or step down transformer.

Light Engine

Integrated, field-replaceable XRB-Drive combines the Cree LED light engine and driver into a single USA-built metal-core module. Standard CRI 80. Available in 2700K or 3000K. MacAdam 3-step binning helps ensure consistent color performance.

Optics

Interchangeable optics available in 25°, 40°, and 60° beam angles.

Lead Wire

31" 20 AWG tinned copper

Dimming Options

Standard fixtures are non dimmable. Dimmable Option valuable with constant current LED power supply connected in series with the fixtures. Dimming Method: Phase Dimming (TRI-AC/ELV) or 0-10V dimming.

Mounting

Supplied standard with LV130 ground stake. Fixture mounts via 1/2"-14 NPS threaded fittings and is compatible with all Garden Light LED mounting accessories. (See page 2 for mounting options).

Certifications & Ratings

ETL listed to UL1838, IP66 Standard.



REV | Revolutionary Spotlight

DIRECTIONAL & ACCENT | REVOLUTIONARY

ORDERING GUIDE

EXAMPLE: REV 204 AB 2700K SHRJM AB HCL MMB AB

MODEL

REV REV Directional & Accent Light Interchangeable Integrated XRB-Drive System	WATTAGE	OPTICS	FINISH	COLOR TEMPERATURE
	DIM (Dimmable)	2 (25°)	AB (Architectural Bronze)	3000K (Default/Blank)
	20 (3W)	4 (40°)	BLK (Black)	2700K
	35 (5W)	6 (60°)	OBLK (Omega Black)	
	50 (7W)			

OPTIONAL ACCESSORIES

Accessory images & dimensions can be found on page 3

SHROUD
SHR345 XXX (34.5° Shroud (Included/Blank))
SHR45 XXX (45° Shroud)
SHREX58 XXX (Extended 58° Shroud)
SHRJLM XXX (JLM Shroud)
SHRFLT XXX (Flat Shroud)

Extensions
EXT6 XXX (6" Extension)
EXT12 XXX (12" Extension)
EXT20 XXX (20" Extension)
EXT30 XXX (30" Extension)

* XXX represents color/finish option

LOUVER
HCL (Hex Cell Louver)

Mounting

GROUND MOUNT
LV180 (LV180 Stake (Included/Blank))
LV150 (LV150 Heavy Duty Stake 4"D X 19"H)
SURFACE MOUNT
MMB XXX (Mini Universal Mounting Base 2.375" Diameter x 1" H)
TREE MOUNT
TMAB (Tree Mount)
TMSTR3 (Tree Mount Strap 3')
TMSTR5 (Tree Mount Strap 5')

TRANSFORMERS

BUILD THE SKU LEFT → RIGHT

Pattern: [WATTAGE (VA)]-[MODEL]-[CONNECTION TYPE]

Items tagged "(Default/Blank)" are not included in the SKU.

EXAMPLE: 602-WLED SS-DW

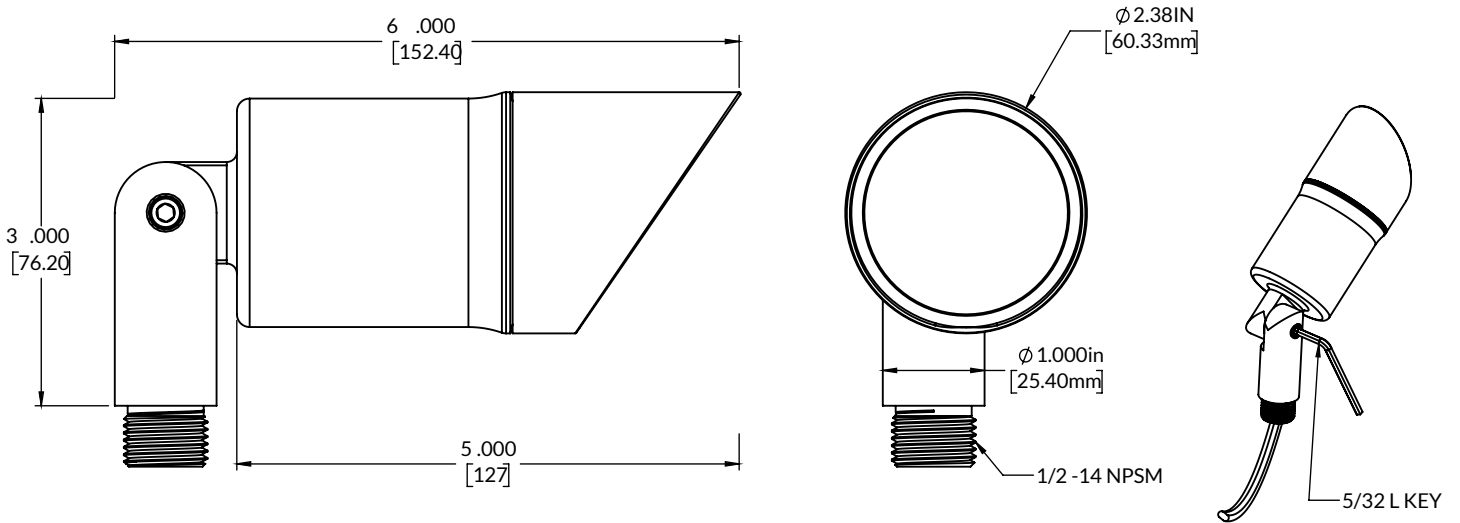
WATTAGE (VA)	MODEL	CONNECTION TYPE
62 102 152 302 602 902 1202	WLED SS (Low Voltage Magnetic Transformer 15V Tap W/ LED & Surge Protection)	Pluggable 120VAC Plug-In (Default/Blank) DW (Direct Wire 120VAC)
60WNL	INLINE (60W No-Load Inline Electronic Transformer 120VAC Input, 12VAC Output)	Direct Wire 120VAC (Default/Blank)
60	MD (Mammoth Dynamics phase-dimmable constant current driver (DC))	Direct Wire 120VAC (Default/Blank)



REV | Revolutionary Spotlight

DIRECTIONAL & ACCENT | REVOLUTIONARY

FIXTURE DRAWINGS

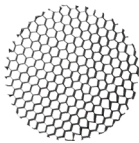


OPTIONS & ACCESSORIES

Shroud Options:



Louver Options:



HONEY COMB LOUVER

Extensions:



[6" EXTENSION](#) [12" EXTENSION](#) [20" EXTENSION](#)

MOUNTING OPTIONS

Ground Mount:



[LV180 STAKE](#)

[LV150 STAKE](#)

Building/Structure Mount:



[MINI UNI MOUNTING BASE](#)

Tree Mount:



[TREE MOUNT](#)

[STRAP 3'](#)

[STRAP 5'](#)

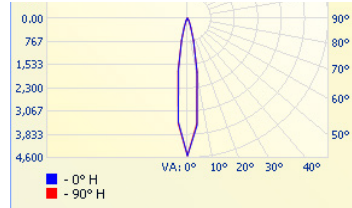


PHOTOMETRICS

REV 25°

Input Power	7 W
Color Temperature (CCT)	3000 K
Color Rendering Index (CRI)	80+
Beam Spread	25°
Max Candela Power	4537cd
Delivered Lumens	633
Efficacy	90 lm/W

Polar Graph - Intensity



Cone of Light - Illuminance

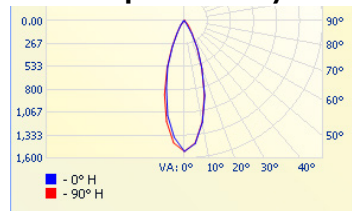
	Center Beam fc	Beam Width	
8.3R	65.9 fc	2.5 ft	2.5 ft
16.7R	16.3 fc	5.0 ft	5.0 ft
25.0R	7.26 fc	7.5 ft	7.6 ft
33.3R	4.09 fc	10.0 ft	10.1 ft
41.7R	2.61 fc	12.5 ft	12.6 ft
50.0R	1.81 fc	15.0 ft	15.1 ft

■ Vert. Spread: 17.0°
■ Horiz. Spread: 17.2°

REV 40°

Input Power	7 W
Color Temperature (CCT)	3000 K
Color Rendering Index (CRI)	80+
Beam Spread	40°
Max Candela Power	1523cd
Delivered Lumens	626
Efficacy	89 lm/W

Polar Graph - Intensity



Cone of Light - Illuminance

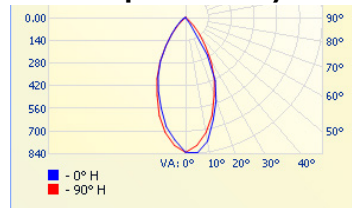
	Center Beam fc	Beam Width	
8.3R	22.1 fc	5.0 ft	5.1 ft
16.7R	5.46 fc	10.0 ft	10.3 ft
25.0R	2.44 fc	14.9 ft	15.4 ft
33.3R	1.37 fc	19.9 ft	20.6 ft
41.7R	0.88 fc	24.9 ft	25.8 ft
50.0R	0.61 fc	29.9 ft	30.9 ft

■ Vert. Spread: 33.3°
■ Horiz. Spread: 34.3°

REV 60°

Input Power	7 W
Color Temperature (CCT)	3000 K
Color Rendering Index (CRI)	80+
Beam Spread	60°
Max Candela Power	836cd
Delivered Lumens	609
Efficacy	87 lm/W

Polar Graph - Intensity



Cone of Light - Illuminance

	Center Beam fc	Beam Width	
8.3R	12 fc	7.6 ft	7.6 ft
16.7R	2.98 fc	15.3 ft	15.2 ft
25.0R	1.33 fc	23.0 ft	22.8 ft
33.3R	0.75 fc	30.6 ft	30.4 ft
41.7R	0.48 fc	38.3 ft	38.1 ft
50.0R	0.33 fc	45.9 ft	45.6 ft

■ Vert. Spread: 49.3°
■ Horiz. Spread: 49.1°

Wattage Multiplier

Wattage	Multiplier
3 Watt	.41
5 Watt	.71
7 Watt	1.00

CCT Multiplier

Color Temperature	Multiplier
2700 K	.97
3000 K	1.00
4000 K	1.05

Resources

The REV Spotlight – IES Version (ZIP)
The REV Spotlight – PDF Version (ZIP)
Submit IES File Request Standard IES files typically represent the highest wattage, 3000K CCT, and available optics. For other configurations, submit one fixture variation per request.
The REV Spotlight – Install Guide
Product Page / IES Files / Online Ordering: gardenlightled.com/product/the-rev/
Warranty Information: gardenlightled.com/warranty/