



DATE:

PROJECT:

TYPE:

CATALOG:

P10 | Path Light

Pathway/Area Lights | 20.50"H
2W (270lm) | 10.5-16 VAC | Integrated LED



FEATURES

- U.S.-made light engine and driver
- CNC-machined, corrosion-resistant 6061 aluminum or C360 Brass; IP67 rated.
- 180-degree vertical adjustable knuckle.
- Dimmable configurations available; see Specifications and ordering guide for details. Standard fixtures are non-dimmable.
- Built-in surge protector safeguards internal electronics from voltage fluctuations and power surges.
- High-strength tempered glass lens.
- High-performance 3-step bin LED with an L70 rating of over 100,000 hours.
- [20-year manufacturer limited warranty.](#)
- ETL listed to the UL 1838 standard, with IES Files Available (See page 4).
- 3000K fixtures available in all finishes, wattages, and optics, in stock and ready to ship. Other color temperatures are non-stock and require a lead time of 5-7 business days.

AVAILABLE FINISHES:



POWER CONSUMPTION

Candela Power & IES charts can be found on page 4

COLOR TEMPERATURE	WATTAGE	VA	LUMENS	ADDITIONAL COLOR TEMP OPTIONS
● 3000K*	2W	5VA	270LM	<ul style="list-style-type: none"> ● 2700K ● Amber ● Royal Blue ● Red ● Lavender ● 5000K ● Blue ● Green ● Fuchsia

* Indicates stocked items. Non-stocked items require 5-7 business days additional lead time, special order deposit and are non-refundable. Fuchsia and Lavender require additional lead time above the standard 5-7 business days.

SPECIFICATIONS

Materials

CNC-machined from billet 6061-T6 aluminum or C360 brass with 316 stainless steel hardware.

Finish

BLK/AB: Corrosion-resistant E-coat primer under a hard enamel finish that delivers strong UV protection.

BR: Raw, brushed brass; will tarnish/patina naturally.

SSA: Marine-grade anodization for lasting corrosion resistance and durability.

Shroud Options

Optional snap-on shroud mounts directly to the fixture, shielding the source from direct view. (See page 2-3 for details).

Wattage

2W delivering up to 270lm (SSA finish).

Voltage

10.5-16VAC. Requires low voltage transformer or step down transformer.

Light Engine

US Built Led module with Cree Diode and Metal core PCB for better heat dissipation.

CRI 80 (CRI 90 upon request) CCT 2700K & 3000K. McAdam 3 step LED binning to ensure color consistency.

Optics

120° wide-angle flood.

Lead Wire

22" 18 AWG tinned copper.

Dimming Options

Standard fixtures are non dimmable. Dimmable Option valuable with constant current LED power supply connected in series with the fixtures.

Dimming Method: Phase Dimming (TRI-AC/ELV) or 0-10V dimming.

Mounting

Comes standard with the LV131 stake and a pre-installed 1/2"-14 NPS ABS male fitting (1 3/8" H), compatible with all Garden Light LED mounting accessories. (See page 2 for details).

Listings

ETL listed to UL1838, IP67 Standard.



P10 | Path Light

Pathway/Area Lights

ORDERING GUIDE

EXAMPLE: P10-20-AB-2700K-LV150

MODEL

P10 P10 Path Light Light Fully Integrated	WATTAGE	OPTICS	FINISH	COLOR TEMPERATURE
	DIM (Dimmable)	F (Flood (Default/Blank))	AB (Architectural Bronze)	3000K (Default/Blank)
	20 (2W)		BLK (Black)	2700K
			BR (Brass)	5000K
			SSA (Stainless Aluminum)	AMB (Amber)
				BLU (Blue)
				RBL (Royal Blue)
				GRN (Green)
				RED (Red)
				FSA (Fuchsia)
				LVR (Lavender)

OPTIONAL ACCESSORIES

SHROUD MWW SHROUD (P10 Shroud)	Mounting GROUND MOUNT LV131 (LV131 Stake (Included/Blank)) LV180 (LV180 Stake) LV150 (LV150 Heavy Duty Stake 4"D X 19"H) SURFACE MOUNT MMB XXX (Mini Universal Mounting Base 2.375" Diameter x 1" H)	Extensions EXT20 XXX (20" Extension (Included/Blank)) EXT6 XXX (6" Extension) EXT12 XXX (12" Extension) EXT30 XXX (30" Extension)
---	---	--

* XXX represents color/finish option

TRANSFORMERS

BUILD THE SKU LEFT → RIGHT

Pattern: [WATTAGE (VA)]-[MODEL]-[CONNECTION TYPE]

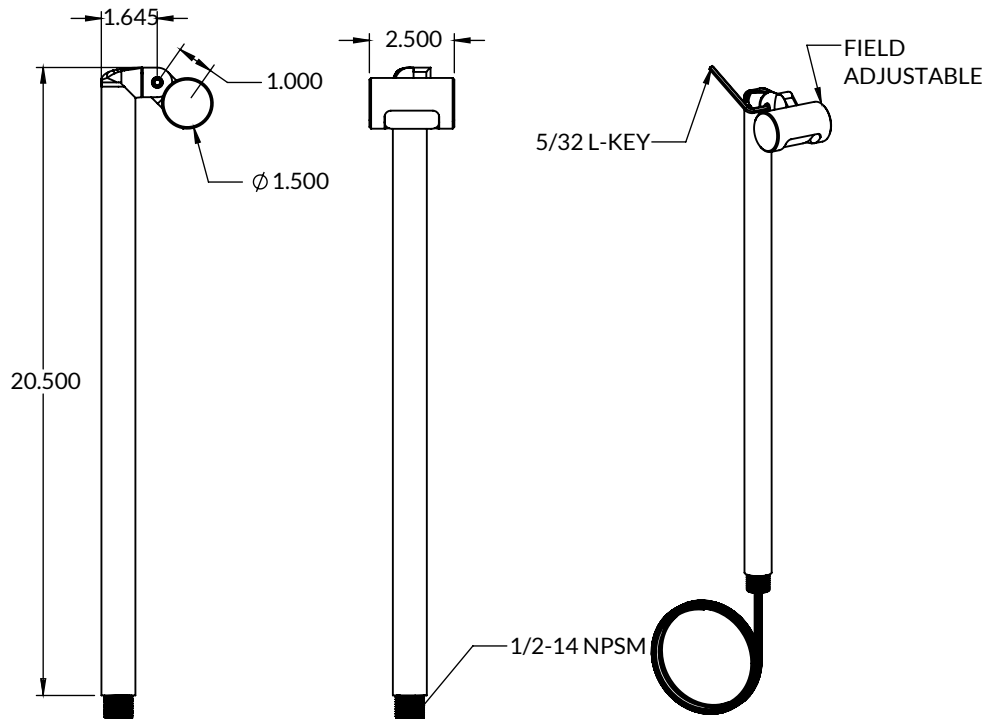
Items tagged "(Default/Blank)" are not included in the SKU.

EXAMPLE: 602-WLED SS-DW

WATTAGE (VA) 62 102 152 302 602 902 1202 60WNL 60	MODEL WLED SS (Low Voltage Magnetic Transformer 15V Tap W/ LED & Surge Protection) INLINE (60W No-Load Inline Electronic Transformer 120VAC Input, 12VAC Output) MD (Mammoth Dynamics phase-dimmable constant current driver (DC))	CONNECTION TYPE Pluggable 120VAC Plug-In (Default/Blank) DW (Direct Wire 120VAC) Direct Wire 120VAC (Default/Blank) Direct Wire 120VAC (Default/Blank)
---	---	--



FIXTURE DRAWINGS



OPTIONS & ACCESSORIES

Shroud Options:



[MINI WALL WASHER SHROUD](#)

Extensions:



[6" EXTENSION](#)



[12" EXTENSION](#)



[20" EXTENSION](#)



[30" EXTENSION](#)

MOUNTING OPTIONS

Ground Mount:



[LV131 STAKE](#)



[LV180 STAKE](#)



[LV150 STAKE](#)

Building/Structure Mount:



[MINI UNI MOUNTING BASE](#)



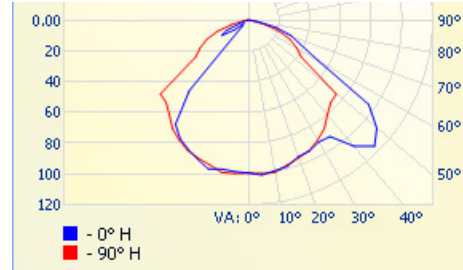
PHOTOMETRICS

Note: Due to differences in internal reflectance, SSA and BLK finishes produce different lumen and candela values as indicated in the tables.

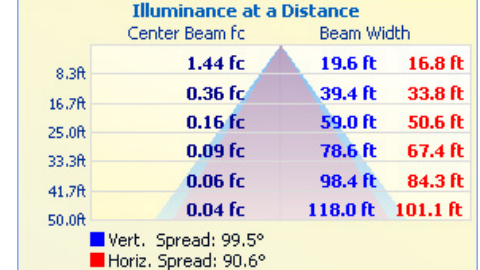
P10 PATH LIGHT SSA 120° FLOOD

Input Power	2 W
Color Temperature (CCT)	3000 K
Color Rendering Index (CRI)	80+
Beam Spread	120°
Max Candela Power	116cd
Delivered Lumens	270
Efficacy	57 lm/W

Polar Graph - Intensity



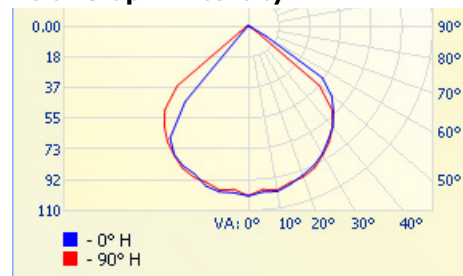
Cone of Light - Illuminance



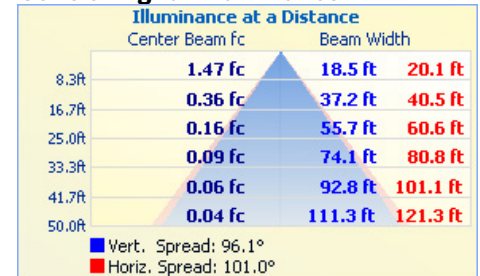
P10 PATH LIGHT BLK 120° FLOOD

Input Power	2 W
Color Temperature (CCT)	3000 K
Color Rendering Index (CRI)	80+
Beam Spread	120°
Max Candela Power	101cd
Delivered Lumens	211
Efficacy	45 lm/W

Polar Graph - Intensity



Cone of Light - Illuminance



CCT Multiplier

Color Temperature	Multiplier
2700 K	.97
3000 K	1.00
4000 K	1.05

Resources

[P10 Path Light – IES Version \(ZIP\)](#)

[P10 Path Light – PDF Version \(ZIP\)](#)

[Submit IES File Request](#)

Standard IES files typically represent the highest wattage, 3000K CCT, and available optics. For other configurations, submit one fixture variation per request.

[P10 Path Light – Install Guide](#)

Product Page / IES Files / Online Ordering:

gardenlightled.com/product/p10-contemporary/

Warranty Information:

gardenlightled.com/warranty/