

MWW | MINI WALL WASHER



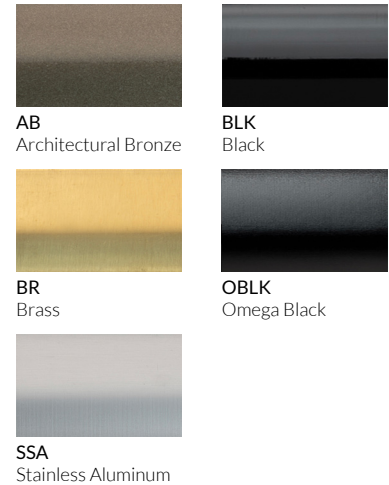
Wall Washers | 1.50"Ø
2W (270lm) | 10.5-18 VAC | Integrated LED

FEATURES

- U.S.-made light engine and external driver (3" x 5/8"); driver is fully encapsulated in weatherproof PVC housing (See fixture drawing on page 3 for more details).
- CNC-machined, corrosion-resistant 6061 aluminum or C360 Brass; IP67 rated.
- 180-degree vertical adjustable knuckle.
- Dimmable configurations available; see Specifications and ordering guide for details. Standard fixtures are non-dimmable.
- Built-in surge protector safeguards internal electronics from voltage fluctuations and power surges.
- High-performance 3-step bin LED with an L70 rating of over 100,000 hours.
- [20-year manufacturer limited warranty.](#)
- ETL listed to the UL 1838 standard, with IES Files Available (See page 4).
- 3000K fixtures available in all finishes, wattages, and optics, in stock and ready to ship. Other color temperatures are non-stock and require a lead time of 5-7 business days.



AVAILABLE FINISHES:



POWER CONSUMPTION

Candela Power & IES charts can be found on page 4

COLOR TEMPERATURE	WATTAGE	VA	LUMENS	ADDITIONAL COLOR TEMP OPTIONS
● 3000K*	2W	5VA	270LM	<ul style="list-style-type: none"> ● 2700K ● Amber ● Royal Blue ● Red ● Lavender ● 5000K ● Blue ● Green ● Fuchsia

* Indicates stocked items. Non-stocked items require 5-7 business days additional lead time, special order deposit and are non-refundable. Fuchsia and Lavender require additional lead time above the standard 5-7 business days.

SPECIFICATIONS

Materials

CNC-machined from billet 6061-T6 aluminum or C360 brass with 304 stainless hardware.

Finish

BLK/AB: Corrosion-resistant E-coat primer under a hard enamel finish that delivers strong UV protection.

BR: Raw, brushed brass; will tarnish/patina naturally.

Omega Black: Military-grade treatment engineered for harsh/coastal sites with exceptional scratch/corrosion resistance.

SSA: Marine-grade anodization for lasting corrosion resistance and durability.

Shroud Options

Optional snap-on shroud mounts directly to the fixture, shielding the source from direct view. (See page 2-3 for details).

Wattage

2W CREE LED delivering up to 270lm (SSA finish).

Voltage

10.5-18VAC. Requires low voltage transformer or step down transformer.

Light Engine

USA-built metal core LED module. Standard CRI 80 (CRI 90 optional). Standard CCT: 2700K & 3000K (others available). MacAdam 3-step binning ensures consistent color.

Optics

120° wide-angle flood.

Lead Wire

36" 18 AWG tinned copper.

Dimming Options

Dimmable configurations support DC phase dimming (TRIAC/ELV) and 0 to 10 V constant current with specified drivers, compatible with Lutron, Crestron, and Control4 when specified. Standard fixtures are non dimmable. For full dimmable options, contact your sales rep.

Mounting

Comes standard with the LV180 stake and mounts using 1/2"-14 NPS fittings, fully compatible with all Garden Light LED mounting accessories. (See page 2 for details)

Listings

ETL listed to UL1838, IP67 Standard.



MWW | Mini Wall Washer

WALL WASHERS | MINI

ORDERING GUIDE

EXAMPLE: MWW-20-F-OBLK-2700K-MWW SHROUD-EXT20 OBLK

MODEL

MWW Mini Wall Washer Light Fully Integrated	WATTAGE	OPTICS	FINISH	COLOR TEMPERATURE
	DIM (Dimmable)	F (Flood)	AB (Architectural Bronze)	3000K (Default/Blank)
	20 (2W)		BLK (Black)	2700K
	35 (4W)		BR (Brass)	5000K
	50 (6W)		OBLK (Omega Black)	AMB (Amber)
	75 (9W)		SSA (Stainless Aluminum)	BLU (Blue)
	75C (9W - 1000LM)			RBL (Royal Blue)
				GRN (Green)
			RED (Red)	
			FSA (Fuchsia)	
			LVR (Lavender)	

OPTIONAL ACCESSORIES

SHROUD MWW SHROUD (Mini Wall Washer Shroud)	Mounting	Extensions EXT6 XXX (6" Extension) EXT12 XXX (12" Extension) EXT20 XXX (20" Extension) EXT30 XXX (30" Extension) * XXX represents color/finish option
	GROUND MOUNT	
	LV180 (LV180 Stake (Included/Blank))	
	LV150 (LV150 Heavy Duty Stake 4"D X 19"H)	
	SURFACE MOUNT	
	MMB XXX (Mini Universal Mounting Base 2.375" Diameter x 1" H)	
	TREE MOUNT	
TMAB (Tree Mount)		
TMSTR3 (Tree Mount Strap 3')		
TMSTR5 (Tree Mount Strap 5')		

TRANSFORMERS

BUILD THE SKU LEFT → RIGHT

Pattern: [WATTAGE (VA)]-[MODEL]-[CONNECTION TYPE]

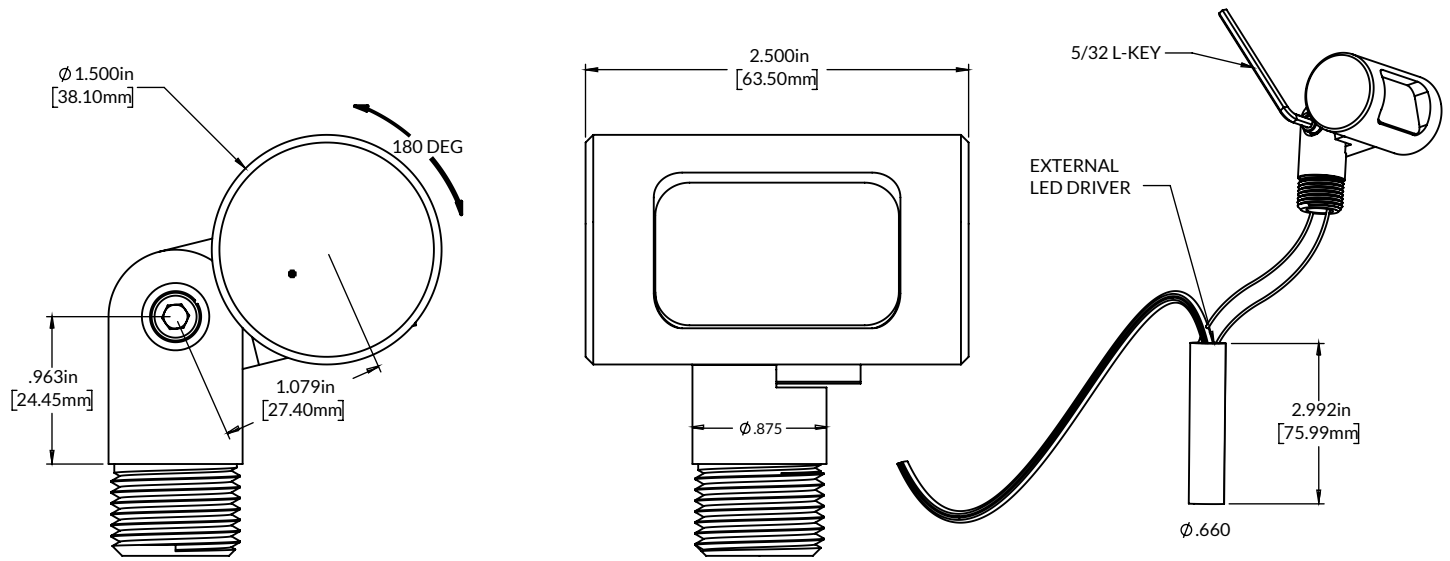
Items tagged "(Default/Blank)" are not included in the SKU.

EXAMPLE: 602-WLED SS-DW

WATTAGE (VA)	MODEL	CONNECTION TYPE
62 102 152 302 602 902 1202	WLED SS (Low Voltage Magnetic Transformer 15V Tap W/ LED & Surge Protection)	Pluggable 120VAC Plug-In (Default/Blank) DW (Direct Wire 120VAC)
60WNL	INLINE (60W No-Load Inline Electronic Transformer 120VAC Input, 12VAC Output)	Direct Wire 120VAC (Default/Blank)
60	MD (Mammoth Dynamics phase-dimmable constant current driver (DC))	Direct Wire 120VAC (Default/Blank)



FIXTURE DRAWINGS



OPTIONS & ACCESSORIES

Shroud
Options:



[MINI WALL WASHER SHROUD](#)

Extensions:



[6" EXTENSION](#)



[12" EXTENSION](#)



[20" EXTENSION](#)

MOUNTING OPTIONS

Ground
Mount:



[LV180 STAKE](#)



[LV150 STAKE](#)

Building/
Structure
Mount:



[MINI UNI MOUNTING BASE](#)

Tree
Mount:



[TREE MOUNT](#)



[STRAP 3'](#)



[STRAP 5'](#)



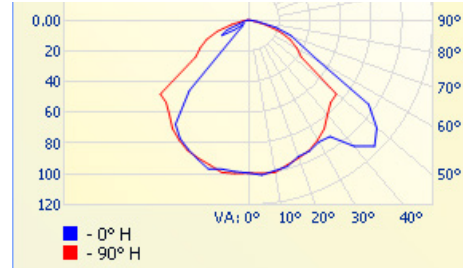
PHOTOMETRICS

Note: Due to differences in internal reflectance, SSA and BLK finishes produce different lumen and candela values as indicated in the tables.

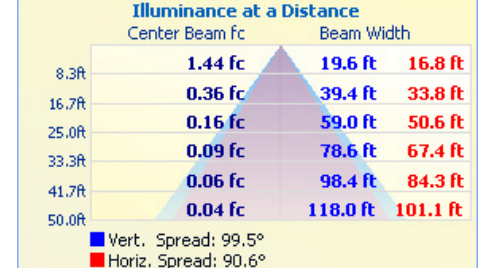
MINI WALL WASHER SSA 120° FLOOD

Input Power	2 W
Color Temperature (CCT)	3000 K
Color Rendering Index (CRI)	80+
Beam Spread	120°
Max Candela Power	116cd
Delivered Lumens	270
Efficacy	57 lm/W

Polar Graph - Intensity



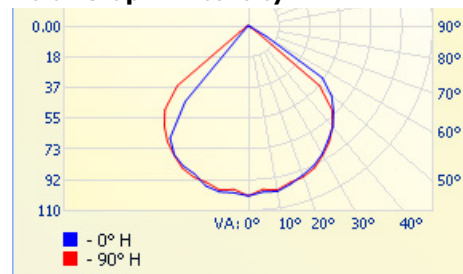
Cone of Light - Illuminance



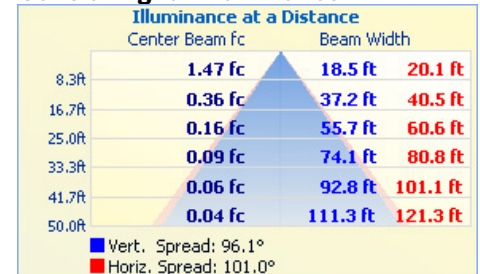
MINI WALL WASHER BLK 120° FLOOD

Input Power	2 W
Color Temperature (CCT)	3000 K
Color Rendering Index (CRI)	80+
Beam Spread	120°
Max Candela Power	101cd
Delivered Lumens	211
Efficacy	45 lm/W

Polar Graph - Intensity



Cone of Light - Illuminance



CCT Multiplier

Color Temperature	Multiplier
2700 K	.97
3000 K	1.00
4000 K	1.05

Resources

Mini Wall Washer – IES Version (ZIP)
Mini Wall Washer – PDF Version (ZIP)
Mini Wall Washer – Install Guide