

DATE:

PROJECT:

TYPE:

CATALOG:

MM15-II | MICRO MAX



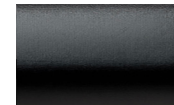
Specialty Lights | Micro Series | (L x W x H): 1.25" x 1.00" x 0.56"
1W (84lm) | 10.5-18 VAC | Integrated LED

FEATURES

- U.S.-made light engine and driver.
- CNC-machined, corrosion-resistant 6061 aluminum or C360 Brass.
- IP67-rated, fully potted housing for sealed water ingress protection; submersible build available upon request.
- Dimmable configurations available; see Specifications and ordering guide for details. Standard fixtures are non-dimmable.
- Built-in surge protector safeguards internal electronics from voltage fluctuations and power surges.
- High-performance 3-step bin LED with an L70 rating of over 100,000 hours.
- [20-year manufacturer limited warranty.](#)
- ETL listed to the UL 1838 standard, with IES files available (See page 4).
- 3000K fixtures available in all finishes, wattages, and optics, in stock and ready to ship. Other color temperatures are non-stock and require a lead time of 5-7 business days.



AVAILABLE FINISHES:



BLK
Black



BR
Brass

POWER CONSUMPTION

Candela Power & IES charts can be found on page 4

COLOR TEMPERATURE	WATTAGE	VA	LUMENS	ADDITIONAL COLOR TEMP OPTIONS	
● 3000K*	1W	2VA	84LM	● 2700K ● Amber ● Royal Blue ● Red ● Lavender	● 5000K ● Blue ● Green ● Fuchsia

* Indicates stocked items. Non-stocked items require 5-7 business days additional lead time, special order deposit and are non-refundable. Fuchsia and Lavender require additional lead time above the standard 5-7 business days.

SPECIFICATIONS

Materials

CNC-machined from billet 6061-T6 aluminum or C360 brass with 304 stainless hardware.

Finish

BLK: Marine-grade black anodize for lasting performance. UV/corrosion protection.
BR: Raw, brushed brass; will tarnish/patina naturally.

Shroud Options

Full and front glare shields available (See page 2-3 for details).

Wattage

1W CREE LED delivering up to 84lm.

Voltage

10.5-18VAC. Requires low voltage transformer or step down transformer.

Light Engine

USA-built metal core LED module. Standard CRI 80 (CRI 90 optional). Standard CCT: 2700K & 3000K (others available). MacAdam 3-step binning ensures consistent color.

Optics

120° wide-angle beam; uniform, no lateral bias.

Lead Wire

90" 22 AWG tinned copper.

APPLICATION NOTES

Luminaire must not be subjected to direct sunlight.

Dimming Options

Dimmable configurations support DC phase dimming (TRIAC/ELV) and 0 to 10 V constant current with specified drivers, compatible with Lutron, Crestron, and Control4 when specified. Standard fixtures are non-dimmable. For full dimmable options, contact your sales rep.

Mounting

Integrated (machined) dual mounts, Ø0.170 in [4.31 mm] holes; use #8/M4 fasteners (not included).

Listings

ETL listed to UL1838, IP67 Standard.



MM15-II | Micro Series Specialty Light

SPECIALTY | MICRO

ORDERING GUIDE

EXAMPLE: MM15-II-BLK-2700K-MM FULL SHIELD BLK

MODEL

MM15-II Micro Max Specialty Light Fully Integrated	WATTAGE 1W (Default/Blank) DIM (Dimmable)	FINISH BLK (Black) BR (Brass)	COLOR TEMPERATURE 3000K (Default/Blank) 2700K 5000K AMB (Amber) BLU (Blue) RBL (Royal Blue) GRN (Green) RED (Red) FSA (Fuchsia) LVR (Lavender)
--	--	--	---

OPTIONAL ACCESSORIES

SHIELD MM FRONT SHIELD BLK (Micro Series Front Shield Black) MM FULL SHIELD BLK (Micro Series Full Shield Black)

TRANSFORMERS

BUILD THE SKU LEFT → RIGHT

Pattern: [WATTAGE (VA)]-[MODEL]-[CONNECTION TYPE]

Items tagged "(Default/Blank)" are not included in the SKU.

EXAMPLE: 602-WLED SS-DW

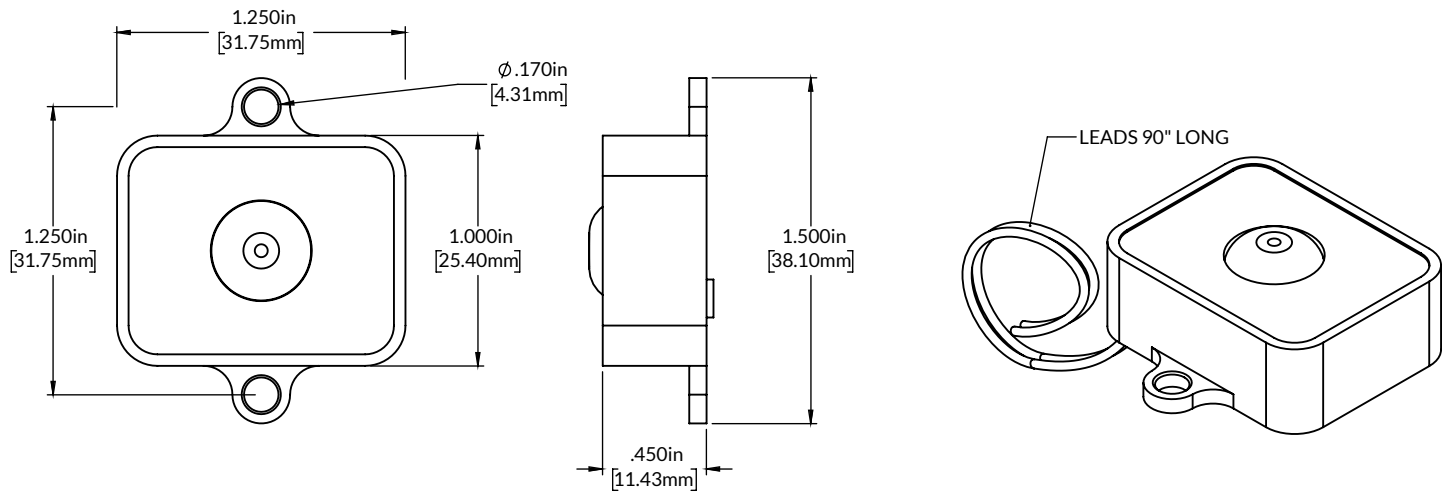
WATTAGE (VA) 62 102 152 302 602 902 1202 60WNL 60	MODEL WLED SS (Low Voltage Magnetic Transformer 15V Tap W/ LED & Surge Protection) INLINE (60W No-Load Inline Electronic Transformer 120VAC Input, 12VAC Output) MD (Mammoth Dynamics phase-dimmable constant current driver (DC))	CONNECTION TYPE Pluggable 120VAC Plug-In (Default/Blank) DW (Direct Wire 120VAC) Direct Wire 120VAC (Default/Blank) Direct Wire 120VAC (Default/Blank)
---	---	--



MM15-II | Micro Series Specialty Light

SPECIALTY | MICRO

FIXTURE DRAWINGS



OPTIONS & ACCESSORIES

Shield
Options:



[MICRO SERIES
FRONT SHIELD
BLACK](#)



[MICRO SERIES
FULL SHIELD
BLACK](#)



MM15-II | Micro Series Specialty Light

SPECIALTY | MICRO

PHOTOMETRICS

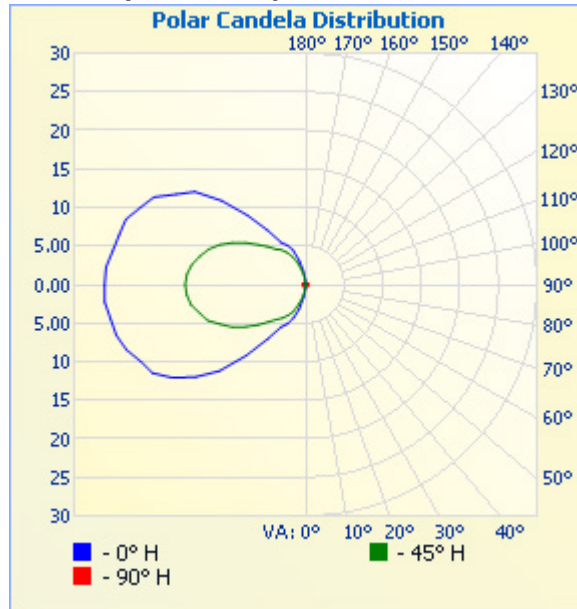
MM15-II 120°

Input Power	1 W
Color Temperature (CCT)	3000 K
Color Rendering Index (CRI)	80+
Beam Spread	120°
Max Candela Power	31cd
Delivered Lumens	84
Efficacy	61 lm/W

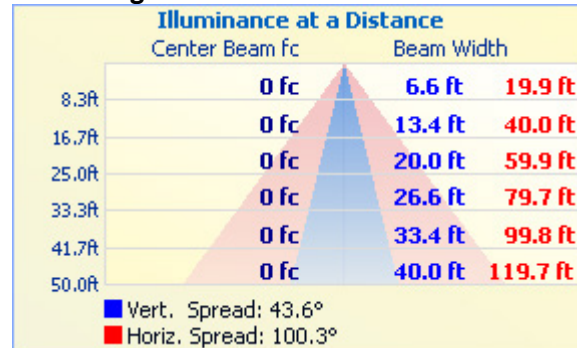
CCT Multiplier

Color Temperature	Multiplier
2700 K	.97
3000 K	1.00
4000 K	1.05

Polar Graph - Intensity



Cone of Light - Illuminance



Resources

[MM15-II Micro Max Specialty Light – IES Version \(ZIP\)](#)

[MM15-II Micro Max Specialty Light – PDF Version \(ZIP\)](#)

[MM15-II Micro Max Specialty Light – Install Guide](#)