

## DL15-II | MINI DECK LIGHT



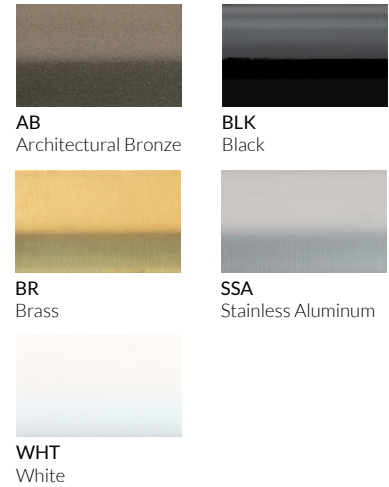
Deck Lights | (L x W x H): 1.220" x 2.250" x 1.200"  
1W (85lm) | 10.5-18 VAC | Integrated LED

### FEATURES

- U.S.-made light engine and driver.
- CNC-machined, corrosion-resistant 6061 aluminum or C360 Brass.
- IP67-rated, fully potted housing for sealed water ingress protection; submersible build available upon request.
- Dimmable configurations available; see Specifications and ordering guide for details. Standard fixtures are non-dimmable.
- Built-in surge protector safeguards internal electronics from voltage fluctuations and power surges.
- High-performance 3-step bin LED with an L70 rating of over 100,000 hours.
- [20-year manufacturer limited warranty.](#)
- ETL listed to the UL 1838 standard, with IES Files Available (See page 4).
- 3000K fixtures available in all finishes, wattages, and optics, in stock and ready to ship. Other color temperatures are non-stock and require a lead time of 5-7 business days.



### AVAILABLE FINISHES:



### POWER CONSUMPTION

*Candela Power & IES charts can be found on page 4*

COLOR TEMPERATURE	WATTAGE	VA	LUMENS	ADDITIONAL COLOR TEMP OPTIONS	
● 3000K*	1W	2VA	85LM	● 2700K ● Amber ● Royal Blue ● Red ● Lavender	● 5000K ● Blue ● Green ● Fuchsia

\* Indicates stocked items. Non-stocked items require 5-7 business days additional lead time, special order deposit and are non-refundable. Fuchsia and Lavender require additional lead time above the standard 5-7 business days.

### SPECIFICATIONS

#### Materials

CNC-machined from billet 6061-T6 aluminum or C360 brass with 304 stainless hardware.

#### Finish

**AB/BLK/WHT:** Corrosion-resistant E-coat primer under a hard enamel finish that delivers strong UV protection.

**BR:** Raw, brushed brass; will tarnish/patina naturally.

**SSA:** Marine-grade anodization for lasting corrosion resistance and durability.

#### Shroud Options

Two shroud heights offered: 0.5" (Small) and 1.0" (Large) (See page 2-3 for details).

#### Wattage

1W CREE LED delivering up to 85lm.

#### Voltage

10.5-18VAC. Requires low voltage transformer or step down transformer.

#### Light Engine

USA-built metal core LED module. Standard CRI 80 (CRI 90 optional). Standard CCT: 2700K & 3000K (others available). MacAdam 3-step binning ensures consistent color.

#### Optics

120° wide-angle beam; uniform, no lateral bias.

#### Lead Wire

90" 22 AWG tinned copper.

#### Dimming Options

Dimmable configurations support DC phase dimming (TRIAC/ELV) and 0 to 10 V constant current with specified drivers, compatible with Lutron, Crestron, and Control4 when specified. Standard fixtures are non dimmable. For full dimmable options, contact your sales rep.

#### Mounting

Includes ABS mounting bracket and #6 x 3/4" Type A Phillips 18-8 SS fasteners.

#### Listings

ETL listed to UL1838, IP67 Standard.



# DL15-II | Mini Deck Light

DECK | MINI

## ORDERING GUIDE

EXAMPLE: DL15-II-BLK-2700K-DL-SHROUD-SML-WHT

### MODEL

<b>DL15-II</b> Mini Deck Light Light Fully Integrated	<b>WATTAGE</b>		<b>FINISH</b>		<b>COLOR TEMPERATURE</b>	
	1W   (Default/Blank)		<input type="checkbox"/> <b>AB</b>   (Architectural Bronze)		<input type="radio"/> <b>3000K</b>   (Default/Blank)	
	DIM   (Dimmable)		<input type="checkbox"/> <b>BLK</b>   (Black)		<input type="radio"/> <b>2700K</b>	
			<input type="checkbox"/> <b>BR</b>   (Brass)		<input type="radio"/> <b>5000K</b>	
		<input type="checkbox"/> <b>SSA</b>   (Stainless Aluminum)		<input type="radio"/> <b>AMB</b>   (Amber)		
		<input type="checkbox"/> <b>WHT</b>   (White)		<input type="radio"/> <b>BLU</b>   (Blue)		
				<input type="radio"/> <b>RBL</b>   (Royal Blue)		
				<input type="radio"/> <b>GRN</b>   (Green)		
				<input type="radio"/> <b>RED</b>   (Red)		
				<input type="radio"/> <b>FSA</b>   (Fuchsia)		
				<input type="radio"/> <b>LVR</b>   (Lavender)		

## OPTIONAL ACCESSORIES

<b>SHROUD</b>
DL SHROUD SML XXX   (Mini Deck Light Shroud Small - 1/2" tall)
DL SHROUD LRG XXX   (Mini Deck Light Shroud Large - 1" tall)
* XXX represents color/finish option

## TRANSFORMERS

### BUILD THE SKU LEFT → RIGHT

Pattern: [WATTAGE (VA)]-[MODEL]-[CONNECTION TYPE]

Items tagged "(Default/Blank)" are not included in the SKU.

EXAMPLE: 602-WLED SS-DW

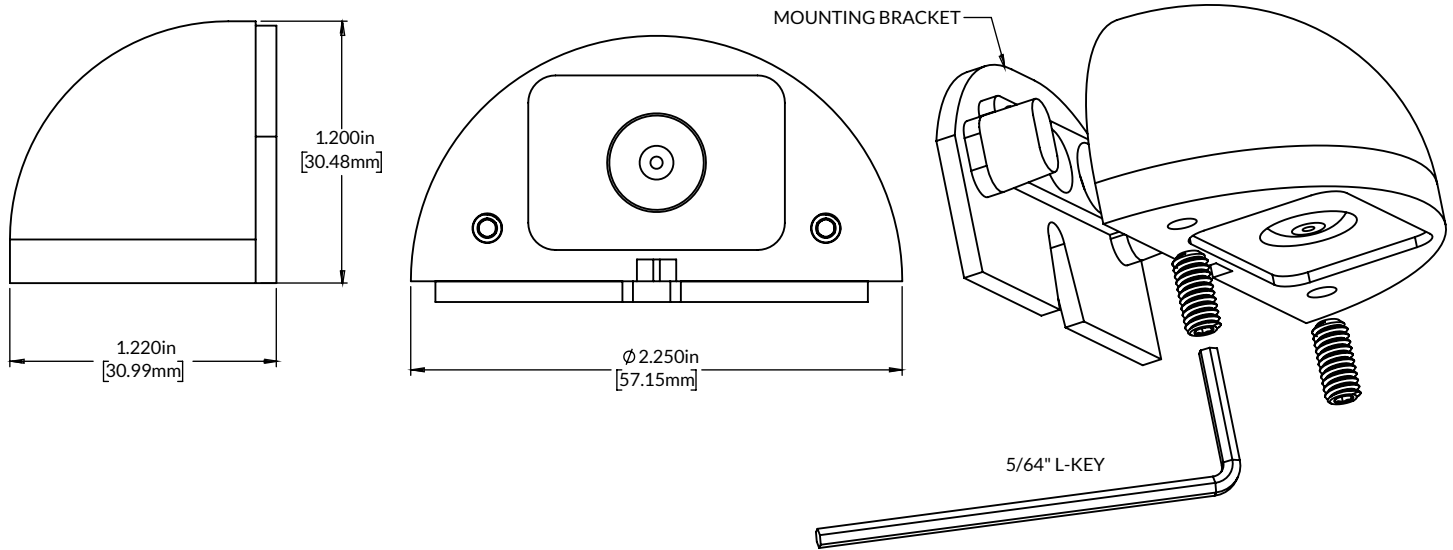
<b>WATTAGE (VA)</b>								<b>MODEL</b>		<b>CONNECTION TYPE</b>		
62	102	152	302	602	902	1202	<b>WLED SS</b>   (Low Voltage Magnetic Transformer 15V Tap W/ LED & Surge Protection)		<b>Pluggable 120VAC Plug-In</b>   (Default/Blank)		<b>DW</b>   (Direct Wire 120VAC)	
60WNL								<b>INLINE</b>   (60W No-Load Inline Electronic Transformer 120VAC Input, 12VAC Output)		<b>Direct Wire 120VAC</b>   (Default/Blank)		
60								<b>MD</b>   (Mammoth Dynamics phase-dimmable constant current driver (DC))		<b>Direct Wire 120VAC</b>   (Default/Blank)		



# DL15-II | Mini Deck Light

DECK | MINI

## FIXTURE DRAWINGS



## OPTIONS & ACCESSORIES

Shield  
Options:



MINI DECK  
LIGHT SHROUD  
SMALL



MINI DECK  
LIGHT SHROUD  
LARGE



## PHOTOMETRICS

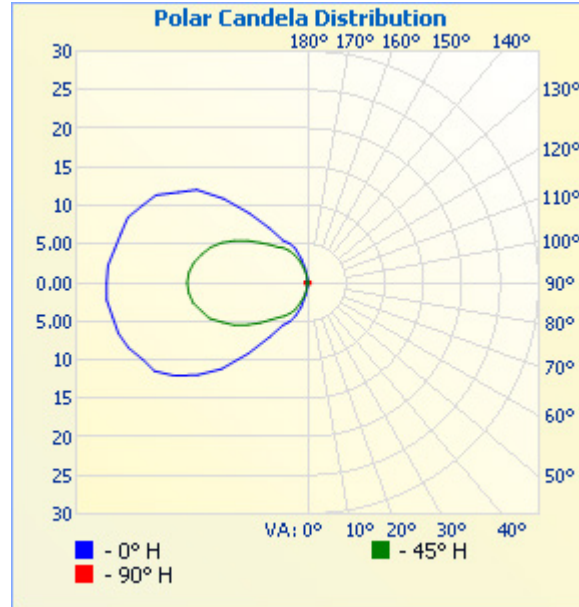
### DL15-II 120°

Input Power	1 W
Color Temperature (CCT)	3000 K
Color Rendering Index (CRI)	80+
Beam Spread	120°
Max Candela Power	31cd
Delivered Lumens	84
Efficacy	61 lm/W

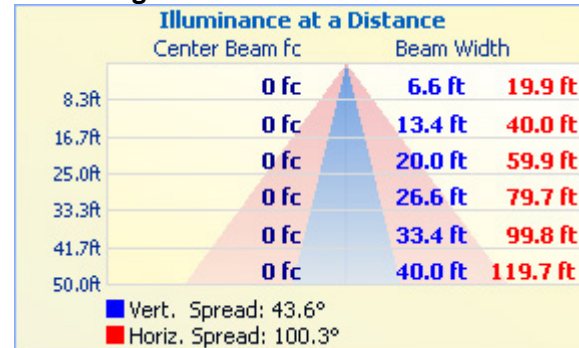
### CCT Multiplier

Color Temperature	Multiplier
2700 K	.97
3000 K	1.00
4000 K	1.05

### Polar Graph - Intensity



### Cone of Light - Illuminance



### Resources

<a href="#">DL-15 II Mini Deck Light – IES Version (ZIP)</a>
<a href="#">DL-15 II Mini Deck Light – PDF Version (ZIP)</a>
<a href="#">DL-15 II Mini Deck Light – Install Guide</a>