



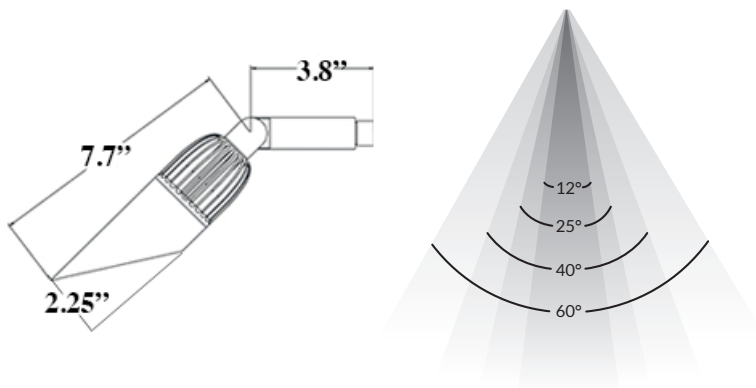
# V3 DWN | Visionary Series Downlight

## PRODUCT DESCRIPTION

Ideal for downlighting.

The Visionary 3 Downlight is perfect for moonlighting applications. Featuring an extended shroud for tighter focus over a long distance, this fixture creates safe and pleasing environments with the dramatic effect downlighting offers.

## PRODUCT DIMENSIONS & BEAM SPREADS



## FEATURES & BENEFITS

- Built in the U.S.A.
- CNC-machined from 6061 aircraft-grade aluminum.
- U.S.A. made light engine and driver.
- Built in surge protector.
- Adjustable knuckle for ease of light positioning.
- Double silicone o-ring gaskets for a tight-fitting shroud.
- Vertical heat sink that provides higher thermal resistance.
- Field serviceable and upgradeable LED board.
- IP66 rated.
- CREE 2 step binned LEDs with L70 over 80,000 hours.

## SPECIFICATIONS

- **Construction:** 6061 aircraft-grade aluminum
- **Finishes:** Architectural Bronze (AB)
- **Lead Wire:** 36" 18 AWG tinned copper
- **Lens:** Clear flat
- **Driver System:** Internal
- **Operating Voltage:** 10.5-18 VAC
- **CRI:** 80+
- **Beam Spreads:** 12°, 25°, 40°, 60°
- **Accessories:** Tree mounts and straps (not included)

## POWER CONSUMPTION

COLOR TEMPERATURE	WATTAGE	VA	LUMENS
● 3000K*	3W	6VA	195LM
	4W	7VA	405LM
	6W	10VA	600LM
	9W	15VA	810 LM

## ADDITIONAL COLOR TEMPERATURE OPTIONS

- 2700K ● 5000K ● Amber\*\* ● Blue ● Royal Blue
- Green ● Red\*\* ● Fuchsia ● Lavender

## WARRANTY

20 Year Limited Warranty

## CERTIFICATIONS



Tested to UL standards.

\*Indicates stocked items. Non-stocked items require 5-7 business days additional lead time, special order deposit and are non-refundable. Fuchsia and Lavender require additional lead time above the standard 5-7 business days.

\*\*Amber not available in 6W or 9W and red not available in 9W.

IES files can be found at [www.gardenlightled.com](http://www.gardenlightled.com)