

# Pagoda Path Light- RGBW5.0

PGD3-RGBW5.0 3000K

## PRODUCT DESCRIPTION:

The RGBW5.0 Pagoda Path Light combines advanced Bluetooth technology with 360° of continuous illumination. Featuring a smooth-glowing 6-inch tube, this fixture offers dynamic and customizable lighting effects for pathways, walkways, and patios. Operated through the intuitive RGBW5.0 app, enjoy seamless color mixing and precise adjustments, ensuring high-performance lighting from your smartphone.

## FEATURES & BENEFITS

- **100% Reliability:** Stable, error-free communication for flawless operation
- **Extreme Range:** Extended connectivity for large outdoor spaces, up to 900ft line-of-sight
- **No Mesh Constraints:** Simplified, efficient control without complex mesh
- **Vibrant RGBW Color Mixing:** Full-spectrum, customizable lighting
- **Durable Omega Black Finish:** Corrosion and scratch-resistant
- **Scalable System:** Control unlimited devices seamlessly
- Use RGBW5.0 app to change fixture settings
  - Turn on and off
  - Set and change colors
  - Set and control dimming
  - Control devices independently or as a group
  - Program custom scenes to run with one tap
- Android and iOS compatible

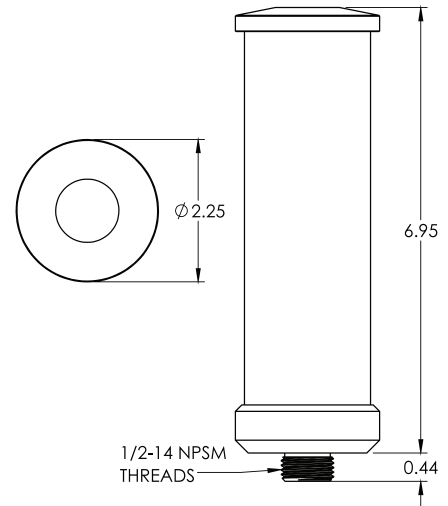
## SPECIFICATIONS

- **Wattage:** RGB:7W | W:10W, **MAX 14VA**
- **Construction:** CNC-machined 6061 Aluminum
- **Finish:** Omega Black, corrosion-resistant
- **Lead Wire:** 18 AWG, 36-inch
- **Light Source:** Integrated RGBW LED
- **Operating Voltage:** 10-16V AC/DC
- **Control Protocol:** RGBW5.0 app via Bluetooth
- **Color Outputs:** Red, Green, Blue, White (3000K)

## WARRANTY

10 Year Warranty on Housing  
3 Year Limited Warranty On Electronics

## CERTIFICATIONS



Get the RGBW5.0 app



For additional information or assistance go to <https://RGBW50.COM>

## Maximum Number of RGBW5.0 Pagodas Per Transformer Chart

Transformer Size	Max Load Capacity (80%)	Maximum Spotlights
60VA	48VA	3
100VA	80VA	5
150VA	120VA	8
300VA	240VA	12
600VA	480VA	30
900VA	720VA	44
1200VA	960VA	60

These calculations account for 12AWG wire, voltage drop, and total load, adhering to NEC guidelines, which recommend operating transformers at no more than 80% capacity for optimal performance. We also utilized the 15V tap on the transformer for these estimates, with each pagoda consuming 14VA.

For transformers 300VA and larger, we based our estimates on typical installations with runs of 100 feet and no more than 12 pagodas per run:

- 300VA: 1 run, 12 pagodas at 100ft.**
- 600VA: 3 runs, 10 pagodas per run at 100ft.**
- 900VA: 4 runs, 11 pagodas per run at 100ft.**
- 1200VA: 6 runs, 10 pagodas per run at 100ft.**

### Landscape Lighting Calculator App



For unique scenarios, such as longer wire runs or varying load requirements, use the **Landscape Lighting Calculator App**, available on iOS and Android, to determine the most accurate setup for your project.