

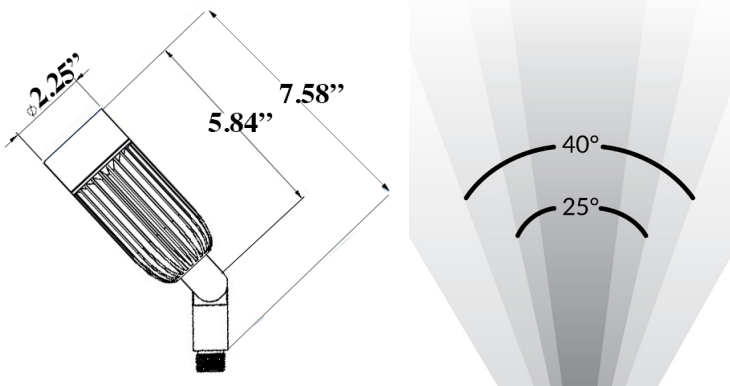


C1 | Single LED RGBW Spotlight

PRODUCT DESCRIPTION

The C1 RGBW spotlight can produce vibrant color-changing and dimming effects using its open-source architecture, managed by a constant current 4-channel driver for consistent light output. Compatible with DMX, DALI, 0-10V, and PWM protocols, it integrates seamlessly with platforms like Lutron, Crestron, Control4, and Leviton. CNC machined from solid billet aircraft-grade 6061 aluminum, these C1 ensures exceptional durability and reliability in harsh environments, making them ideal for both residential and commercial applications.

PRODUCT DIMENSIONS & BEAM SPREADS



FEATURES & BENEFITS

- Built in the U.S.A.
- CNC-machined from 6061 aircraft-grade aluminum.
- U.S.A. made light engine
- Adjustable knuckle for ease of light positioning.
- Compression fit lens.
- Double silicone O-ring gaskets for a tight-fitting shroud.
- IP66 rated.
- CREE XML 2 step binned LEDs with L70 over 80,000 hours.

SPECIFICATIONS

- **Construction:** 6061 aircraft-grade aluminum
- **Finishes:** Architectural Bronze (AB), Black (BLK), Stainless Aluminum (SSA)
- **Lead Wire:** 36" 22 AWG / 8 conductors tinned copper.
- **Lens:** Clear flat
- **Beam Spreads:** 25° and 40°
- **CCT:** RGB and 3000K
- **Input Voltage:** See Reverse
- **Driver:** Constant Current (1600mA max 20W max power)
- **Control:** Multiple Protocols and Platforms



SSA



BLK

AB

POWER CONSUMPTION

COLOR TEMPERATURE	WATTAGE	LUMENS
-------------------	---------	--------

SEE REVERSE

WARRANTY

5 Year Limited Warranty

CERTIFICATIONS

Tested to UL standards.



Intertek

*Indicates stocked items.



C1 Performance Reference Chart

FIXTURE CAN ONLY BE POWERED BY CONSTANT CURRENT POWER SOURCE UP TO 1600mA

Drive Current [mA]	RED			GREEN			ROYAL BLUE			WHITE		
	Voltage [V]	Power(R) [W]	Flux [lm]	Voltage [V]	Power(G) [W]	Flux [lm]	Voltage [V]	Power(RB) [W]	Flux [lm]	Voltage [V]	Power(W) [W]	Flux [lm]
100	1.79	0.2	11	2.33	0.2	41	2.66	0.3	5	2.63	0.3	29
200	1.88	0.4	21	2.42	0.5	70	2.73	0.5	9	2.72	0.5	54
300	1.96	0.6	32	2.50	0.8	95	2.80	0.8	13	2.79	0.8	78
400	2.04	0.8	42	2.58	1.0	118	2.86	1.1	16	2.86	1.2	101
500	2.11	1.1	52	2.65	1.3	139	2.92	1.5	20	2.93	1.5	122
600	2.18	1.3	62	2.71	1.6	156	2.97	1.8	23	2.99	1.8	143
700	2.24	1.6	72	2.78	1.9	173	3.02	2.1	26	3.05	2.1	162
800	2.30	1.8	81	2.83	2.3	187	3.07	2.5	29	3.10	2.5	179
900	2.36	2.1	90	2.88	2.6	201	3.11	2.8	32	3.15	2.8	196
1000	2.41	2.4	99	2.93	2.9	212	3.15	3.2	34	3.20	3.2	213
1100	2.47	2.7	108	2.98	3.3	223	3.19	3.5	37	3.25	3.6	228
1200	2.52	3.0	116	3.03	3.6	233	3.23	3.9	39	3.29	4.0	242
1300	2.57	3.3	124	3.07	4.0	242	3.27	4.3	41	3.33	4.3	257
1400	2.62	3.7	133	3.11	4.4	252	3.30	4.6	44	3.37	4.7	269
1500	2.67	4.0	139	3.16	4.7	261	3.34	5.0	46	3.42	5.1	283
1600	2.72	4.4	147	3.20	5.1	270	3.38	5.4	48	3.46	5.5	295

C1 luminaires in regulated DMX zone

Other components not included

