



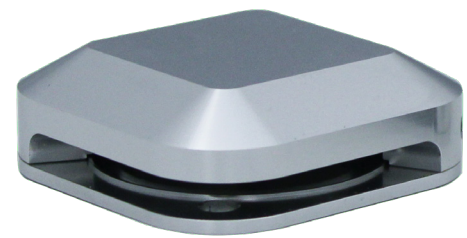
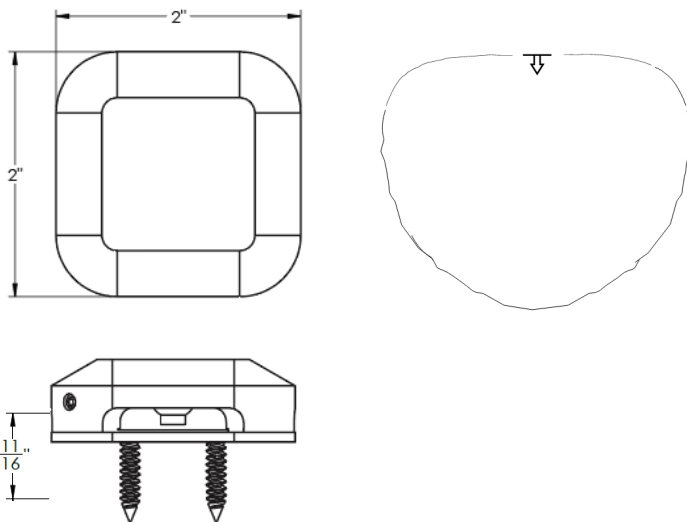
# Stamp WS - Wide Side | Specialty Light

## PRODUCT DESCRIPTION

The 2"x2" Stamp Series Area Lights utilize an advanced optic to bend the light output of a Micro Max at a 90° angle to create amazing ground effects. The Stamp WS or Wide Side (codename: Cravat) casts light via two contiguous sides.

Surface mount is ideal for horizontal and vertical applications.

## PRODUCT DIMENSIONS



SSA

## FEATURES & BENEFITS

- Built in the U.S.A.
- CNC-machined from 6061 aircraft-grade aluminum.
- U.S.A. made light engine and driver.
- Built in surge protector.
- IP67 rated.
- CREE 2 step binned LEDs with L70 over 80,000 hours.

## SPECIFICATIONS

- 2" x 2" x 0.6875"
- **Construction:** 6061 aircraft-grade aluminum
- **Finishes:** Stainless Aluminum (SSA)
- **Lead Wire:** 90" 22 AWG tinned copper
- **Mounting:** Surface mount
- **Driver System:** Internal
- **Operating Voltage:** 10.5-18 VAC
- **CRI:** 80+
- **Beam Spread:** 160° - cravat tie pattern

## POWER CONSUMPTION

COLOR TEMPERATURE	WATTAGE	VA	LUMENS
3000K*	1W	2VA	115LM

## ADDITIONAL COLOR TEMPERATURE OPTIONS

- 2700K • 5000K\*\* • Amber\*\* • Blue\*\* • Royal Blue\*\*
- Green\*\* • Red\*\*

## WARRANTY

20 Year Limited Warranty

## CERTIFICATIONS



Tested to UL standards.

\*3000K is stocked item. 2700K is non-stocked item that requires 5-7 business days additional lead time, special order deposit and are non-refundable.  
 \*\*Special order only. Requires 5-7 business days additional lead time, special build fee, special order deposit, and are non-refundable.