



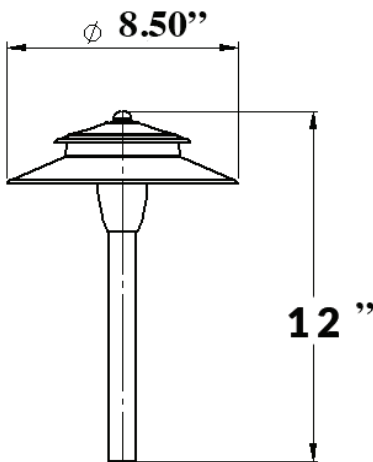
# PL013 LED-TF | Turtle Friendly Brass Villa Path Light

## PRODUCT DESCRIPTION

Ideal for pathways, walkways, patios, and small areas.

The PL013 brass path light is the solution for your more traditional landscape designs. This fixture has been upgraded to an LED light engine for a significantly brighter and more efficient output. This fixture meets the requirements of the Florida Fish and Wildlife Conservation Commission (FWC) for decreased lighting pollution on or near beachfront property to protect the sea turtles.

## PRODUCT DIMENSIONS



## FEATURES & BENEFITS

- Built in the U.S.A.
- U.S.A. made light engine and driver.
- Built in surge protector.
- Field serviceable.
- IP66 rated.
- CREE 2 step binned LEDs with L70 over 80,000 hours.

## SPECIFICATIONS

- **Construction:** Solid brass
- **Lead Wire:** 27" 18 AWG tinned copper
- **Mounting:** 8" LV180 ground stake
- **Driver System:** External
- **Operating Voltage:** 10.5-18 VAC
- **CRI:** 80+
- **Beam Spread:** Flood



SOLID BRASS

## POWER CONSUMPTION

COLOR TEMPERATURE	WATTAGE	VA
● Amber*	2W	5VA
● Red*	2W	4VA
● Extreme Red*	2W	4VA
● Red Orange*	2W	4VA

## WARRANTY

20 Year Limited Warranty

## CERTIFICATIONS



Tested to UL standards.

\*Non-stocked items require 5-7 business days additional lead time, special order deposit and are non-refundable.