



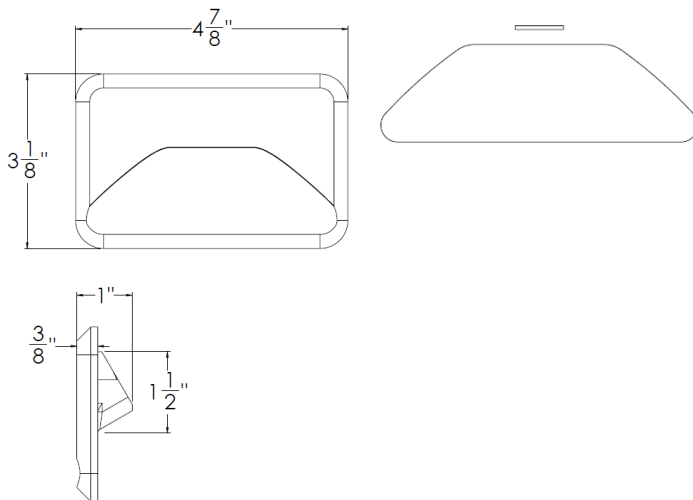
STEP | Micro Series Specialty Light

PRODUCT DESCRIPTION

Ideal for step lighting, wall mounts, retaining walls, dock posts and pilings.

Utilizing our Micro Max Rail, the Step cleverly fits into the smallest wall boxes, even existing boxes with 120V wiring, and there is still room for an electronic transformer!(sold separately) The mount rotates +-16° to ensure a level installation.

PRODUCT DIMENSIONS & BEAM SPREAD



FEATURES & BENEFITS

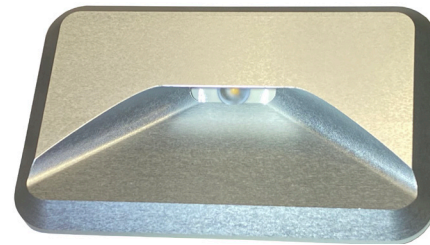
- Built in the U.S.A.
- CNC-machined from 6061 aircraft-grade aluminum.
- U.S.A. made light engine and driver.
- Built in surge protector.
- IP67 rated.
- CREE 2 step binned LEDs with L70 over 80,000 hours.

SPECIFICATIONS

- **Construction:** 6061 aircraft-grade aluminum
- **Finishes:** Architectural Bronze (AB), Black (BLK), Stainless Aluminum (SSA)
- **Lead Wire:** 90" 22 AWG tinned copper
- **Mounting:** Bracket included
- **Driver System:** Internal
- **Operating Voltage:** 10.5-18 VAC
- **CRI:** 80+
- **Beam Spread:** 100°



AB



SSA

POWER CONSUMPTION

COLOR TEMPERATURE	WATTAGE	VA	LUMENS
● 3000K*	1W	2VA	115LM

ADDITIONAL COLOR TEMPERATURE OPTIONS

- 2700K ● 5000K ● Amber ● Blue ● Royal Blue
- Green ● Red

WARRANTY

20 Year Limited Warranty

CERTIFICATIONS



Tested to UL standards.

*Indicates stocked items. Non-stocked items require 5-7 business days additional lead time, special order deposit and are non-refundable.