



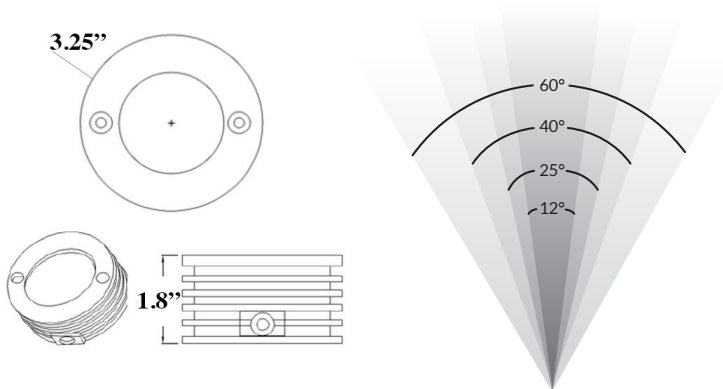
S3 | Submersible Super Saturn

PRODUCT DESCRIPTION

Ideal for docks, ponds, tanks, pools, uplighting, and downlighting.

Make water features truly shine! Durable and completely waterproof, the S3 Submersible Super Saturn is available in 10 rich color temperatures—giving you the flexibility to provide a wide range of water-based lighting effects.

PRODUCT DIMENSIONS & BEAM SPREADS



FEATURES & BENEFITS

- Built in the U.S.A.
- CNC-machined from 6061 aircraft-grade aluminum or stainless steel
- U.S.A. made light engine and driver.
- Built in surge protector.
- Fully submersible.
- IP68 rated.
- CREE 2 step binned LEDs with L70 over 80,000 hours.

SPECIFICATIONS

- **Construction:** 6061 aircraft-grade aluminum or stainless steel
- **Finishes:** Black (BLK), Stainless Steel (SS)
- **Lead Wire:** 5ft SJEOOW 18 AWG tinned copper (BLK) and 20ft SJEOOW 18 AWG tinned copper (SS)
- **Lens:** Clear flat
- **Driver System:** Internal
- **Operating Voltage:** 10.5-18 VAC
- **CRI:** 80+
- **Beam Spreads:** 12°, 25°, 40°, 60°
- **Accessories:** Swivel mounting bracket (not included)



POWER CONSUMPTION

COLOR TEMPERATURE	WATTAGE	VA	LUMENS
● 3000K*	2W	4VA	110LM
	4W	7VA	190LM
	6W	10VA	330LM
	9W	15VA	630LM

ADDITIONAL COLOR TEMPERATURE OPTIONS

- 2700K ● 5000K ● Amber** ● Blue ● Royal Blue
- Green ● Red** ● Fuchsia ● Lavender

WARRANTY

20 Year Limited Warranty

CERTIFICATIONS



Tested to UL standards.

APPLICATION RESTRICTIONS

Stainless Steel Finish- Fresh Water, Salt Water, Chlorinated Water, Fish Ponds and Fish Tanks. **9W for installation in submersible applications ONLY.**

Black Finish- Fresh water, Fish Ponds and Fish Tanks. **NOT suitable for salt or chlorinated water.**

*Indicates stocked items. Non-stocked items require 5-7 business days additional lead time, special order deposit and are non-refundable. Fuchsia and Lavender require additional lead time above the standard 5-7 business days.

**Amber not available in 6W or 9W and red not available in 9W.

IES files can be found at www.gardenlightled.com