

THE VERSATILITY OF THE VISIONARY SERIES

BY GARDEN LIGHT LED



WHAT YOU NEED TO KNOW ABOUT THE VISIONARY SERIES

- Built in the USA
- Field Serviceable and Upgradable LED Board- A Fixture for Life
- Triple LED Light Engine
- CREE LED Chips- 2 Step MacAdam Ellipse Provides Superior Quality and Consistency
- Compression Fit Lens
- Breathable Ant Guard- Eliminates Insect Infestation
- Seamless 180-degree Adjustable Knuckle
- Tin Coated Lead Wire Prevents Oxidation
- Double High-Quality Silicone O-Ring Gaskets- Tight Fitting Shroud
- Raw Brass
- 6061 Aluminum
- 20 Year Warranty



Photometrics & IES Files Available
www.gardenlightled.com



EMERGE FROM THE CROWD

COLOR TEMPERATURE

3000K (Stock Item)

2700K - 6000K Options

Amber

Blue

Royal Blue

Green

Red

Red Orange

Fuchsia

Lavender



We specialize in commercial lighting fixtures and color brand development for businesses looking to set themselves apart from the competition with color-specific LED setups.

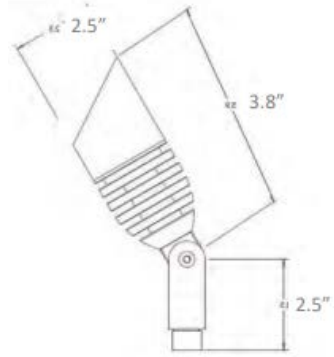
12 LED chip options available for more power!



VISIONARY 2 SPOT LIGHT



Up Light, Shadowing, Wall Wash, Silhouette, Architectural Accents



Stainless Aluminum



Black



Brass

WATTS	LUMENS	DEGREES	FINISH
1	130lm	12°	Black
3	210lm	25°	Stainless Aluminum
6	280lm	40°	Brass
		60°	

Horizontal heat sink disperses excess heat away from the LEDs and onto the heat sink.

**Triple LED Light Engine - External Driver
Lead Wire - 46 Inches - 18 AWG Tinned Copper Wire**

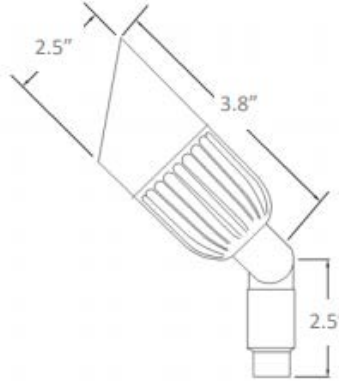
LV180 Ground Stake Included



VISIONARY 3 SPOT LIGHT



Up Light, Shadowing, Wall Wash, Silhouette, Architectural Accents



Stainless Aluminum



Architectural Bronze



Brass

WATTS*	LUMENS*	DEGREES	FINISH
2	190lm	12°	Architectural Bronze
4	330lm	25°	Stainless Aluminum
6	460lm	40°	Brass
9	630lm	60°	
11	795lm		

* 3000K ONLY

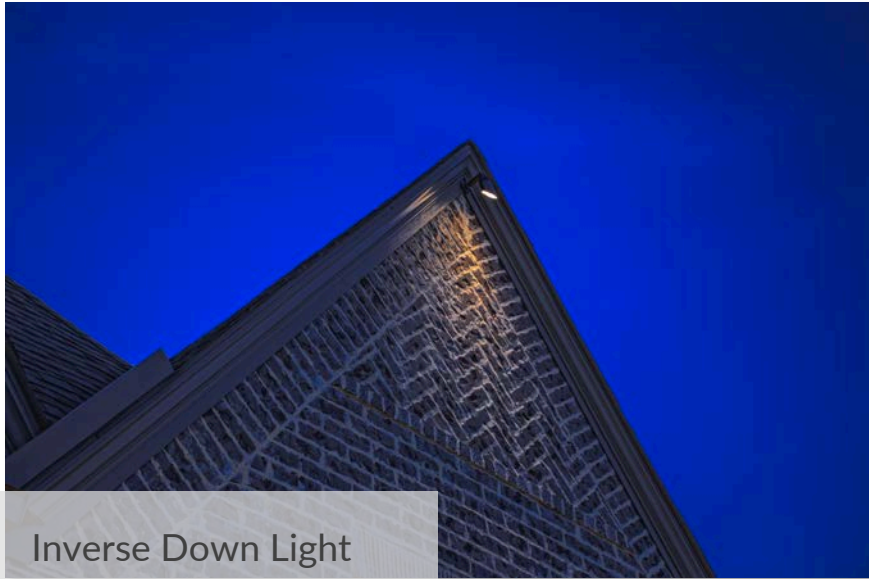
Vertical heat sink has a significantly greater surface area for heat transfer. This provides higher thermal resistance and allows for improved performance, efficiency and lumen output.

Triple LED Light Engine – External Driver
Lead Wire – 46 Inches – 18 AWG Tinned Copper Wire

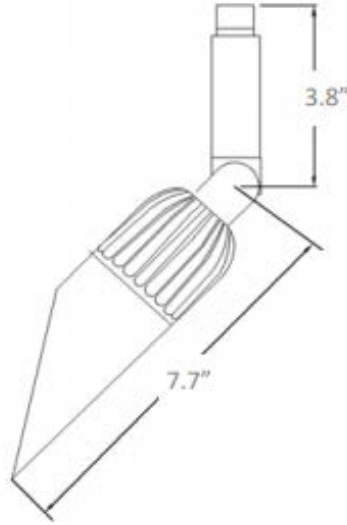
LV180 Ground Stake Included



VISIONARY 3 SPOT LIGHT DOWN



Inverse Down Light



Architectural Bronze

WATTS*	LUMENS*	DEGREES	FINISH
3	190lm	12°	Architectural Bronze
4	330lm	25°	
6	460lm	40°	
9	620lm	60°	
11	795lm		

* 3000K ONLY

Triple LED Light Engine – Internal Driver
Lead Wire – 39 Inches – 18 AWG Tinned Copper Wire



DRIVERS

All our drivers are made in Melbourne, FL by a professional mid-tier contract manufacturer. Assembled with state-of-the-art LED's, our drivers are rigorously tested at both our U.S. manufacturer and in-house facility once received. Our proprietary driver technology mitigates the effect of voltage drop leaving you with a light level you can count on.

Wattage Equivalent	Visionary 2	Visionary 3*	Visionary 3 DWN*
10W	3-100mA Driver (1W)	N/A	N/A
20W	3-350mA Driver (3W)	3-240mA Driver (2W)	3-350mA (3W)
35W	3-700mA Driver (6W)	3-440mA Driver (4W)	3-440mA (4W)
50W	N/A	3-700mA Driver (6W)	3-700mA (6W)
75W	N/A	3-1000mA Driver(9W)	3-1000mA (9W)
100W	N/A	3-1250mA Driver (11W)	3-1250mA (11W)

*3000K ONLY



ACCESSORIES

Color Lens Pack



Surface Mounts- Available AB, BLK & SSA



Flat Shroud- Available in AB, BLK, SSA, BR



ACCESSORIES

Tree Mount



Tree Strap - 3ft and 5ft options



Extension Posts

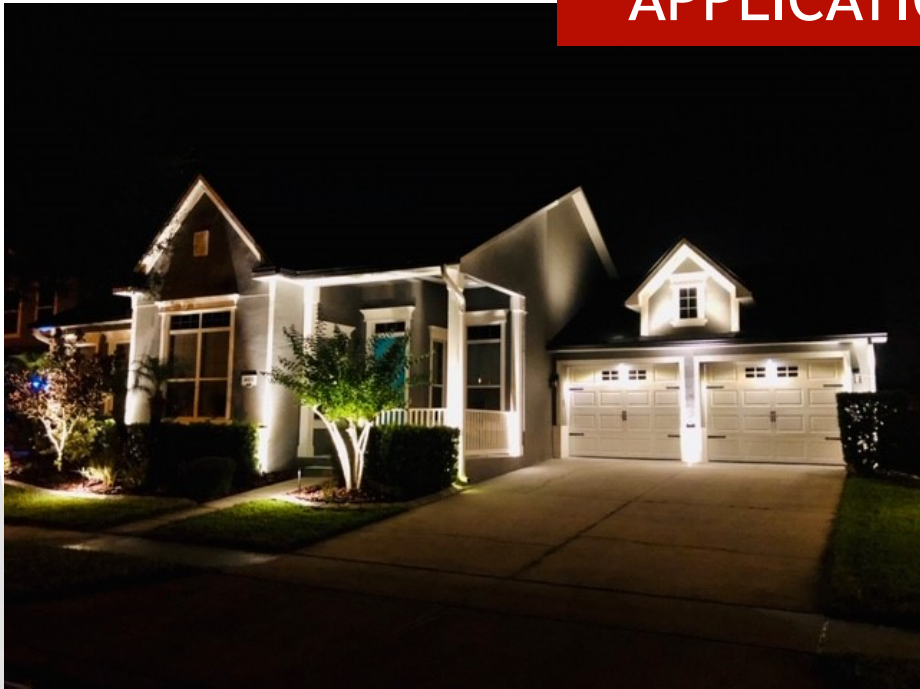


AB, BLK available in: 6", 12", 20", 30"
BR, SSA available in: 6", 12", 20"



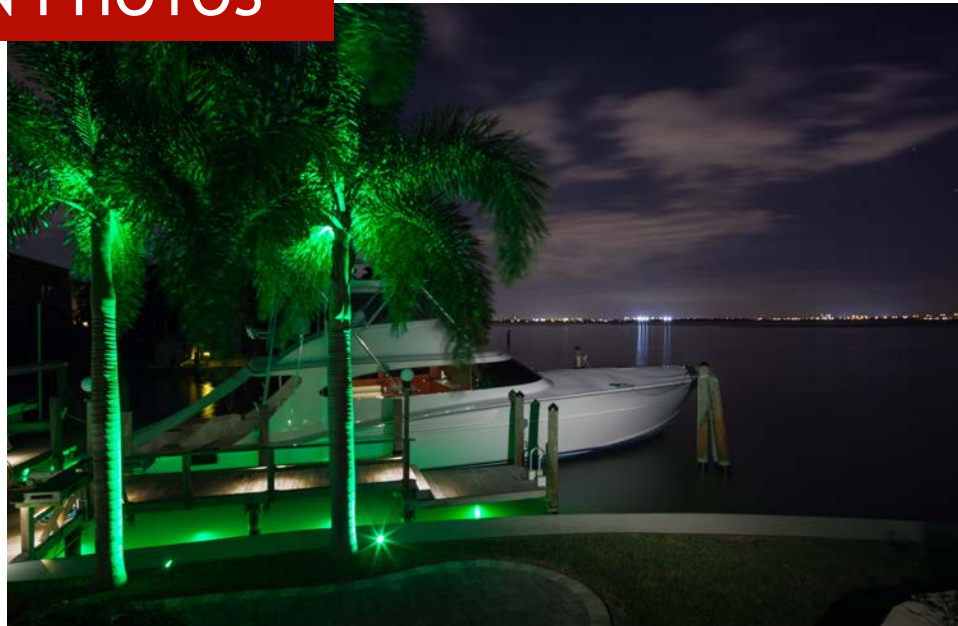
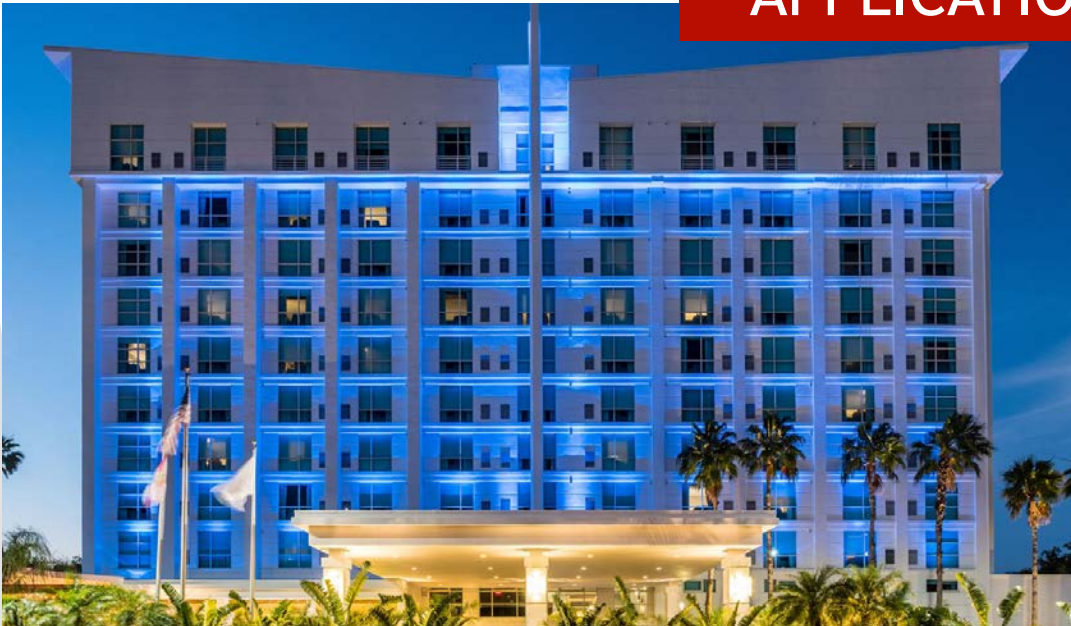


APPLICATION PHOTOS





APPLICATION PHOTOS



20-YEAR WARRANTY ON LED FIXTURES

Garden Light LED strives to continually exceed our contractors expectations by setting the highest industry standards. Our LED Lighting Products are manufactured through original designs and are American built. This is backed by one of the best warranties in the industry with an exceptional 20 year and 80,000-hour warranty when you choose Garden Light LED Products. Our investment in our technology ensures a superior product quality for our contractor's and symbolizes our commitment to excellence.

Maintenance Programs

Maintenance is an essential part to the longevity of a lighting system. Offer quarterly or annually maintenance programs that will protect their investment and 20-year warranty.



**INNOVATION
BEGINS AND IS
BUILT IN AMERICA**



Tel: 800.511.2099
www.gardenlightled.com

