



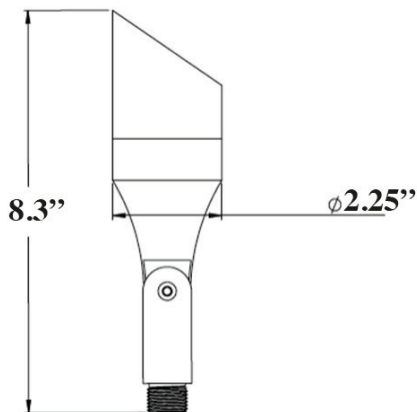
V1 | Visionary Series Spotlight

PRODUCT DESCRIPTION

Ideal for uplighting, shadowing, wall washing, silhouetting, and architectural accents.

This high-quality CNC Machined, E-Coated 6061 Aluminum and Raw Brass direction spotlight is designed to withstand the test of time. They are suitable for most LED MR16 lamps and available in 5 finishes to meet all your outdoor lighting needs.

PRODUCT DIMENSIONS



FEATURES & BENEFITS

- Built in the U.S.A.
- CNC-machined from 6061 aircraft-grade aluminum or raw brass.
- Adjustable knuckle for ease of light positioning.
- Compression fit lens.
- Double silicone o-ring gaskets for a tight-fitting shroud.
- Field serviceable.
- IP66 rated.

SPECIFICATIONS

- **Construction:** 6061 aircraft-grade aluminum or raw brass
- **Finishes:** Architectural Bronze (AB), Black (BLK), Stainless Aluminum (SSA), Brass (BR), Artisan Brass (ABR)
- **Lead Wire:** 56" 18AWG tinned copper
- **Mounting:** 8.5" LV130 ground stake
- **Lens:** Clear flat
- **Operating Voltage:** 12-15 VAC
- **Lamp:** MR16 (sold separately)



WARRANTY

20 Year Limited Warranty on Housing
3 Year Limited Warranty on Components

CERTIFICATIONS



Tested to UL standards.