



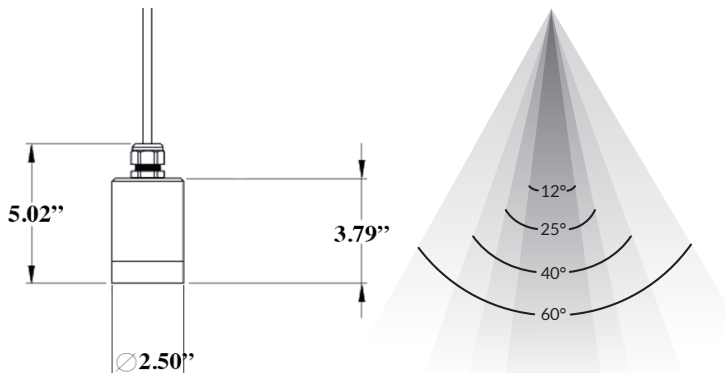
HL | Hanging Light

PRODUCT DESCRIPTION

Ideal for downlighting gazebos and architectural structures.

Garden Light LED's Hanging Light is designed to set your clients' outdoor space apart from the rest. Create a unique, dramatic feel idea for outdoor bar areas, gazebos, outdoor kitchens, architectural structures and more.

PRODUCT DIMENSIONS & BEAM SPREADS



FEATURES & BENEFITS

- Built in the U.S.A.
- CNC-machined from 6061 aircraft-grade aluminum or raw brass.
- U.S.A. made light engine and driver.
- Built in surge protector.
- IP66 rated.
- CREE 2 step binned LEDs with L70 over 80,000 hours.

SPECIFICATIONS

- **Construction:** 6061 aircraft-grade aluminum or raw brass
- **Finishes:** Stainless Aluminum (SSA), Brass (BR)
- **Lead Wire:** 15ft 18 AWG SJEOOW tinned copper
- **Lens:** Clear flat
- **Driver System:** Internal
- **Operating Voltage:** 10.5-18 VAC
- **CRI:** 80+
- **Beam Spreads:** 12°, 25°, 40°, 60°



POWER CONSUMPTION

COLOR TEMPERATURE	WATTAGE	VA	LUMENS
● 3000K*	2W	4VA	160LM
	4W	7VA	400LM
	6W	10VA	540LM
	9W	15VA	740LM

ADDITIONAL COLOR TEMPERATURE OPTIONS

- 2700K ● 5000K ● Amber** ● Blue ● Royal Blue
- Green ● Red** ● Fuchsia ● Lavender

WARRANTY

20 Year Limited Warranty

CERTIFICATIONS



Tested to UL standards.

*Indicates stocked items. Non-stocked items require 5-7 business days additional lead time, special order deposit and are non-refundable. Fuchsia and Lavender require additional lead time above the standard 5-7 business days.
 **Amber not available in 6W or 9W and red not available in 9W.

IES files can be found at www.gardenlightled.com