

# X-LIGHT DOUBLE SIDE X-LIGHT | PATH LIGHT



## CATEGORY

LED Path Light

## LED LIFE EXPECTANCY | WARRANTY

TM-21 data: Greater than **80,000 hours** (20+ years at 8 hours a day)

20 Year Warranty

We run our fixtures **40%** cooler than LM-80 testing standards



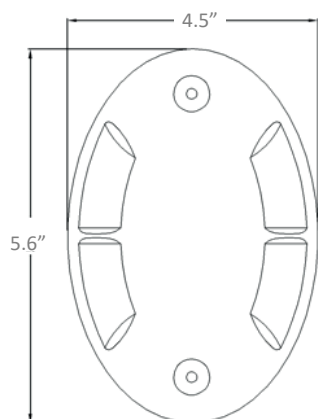
BR

SS

## SPECIFICATIONS

APPLICATION	CONSTRUCTION	DRIVER SYSTEM	INPUT POWER	INSTALLATION	LEAD WIRES	CRI	CERTIFICATION
Pathway Wall Sconces Patios Docks Driveways	H59 Cast Brass 316 Stainless Steel	Internal Driver	10.5-18 VAC	Surface plate included	SJEOOW 18 AWG Tinned Copper Wire 60 Inch Length	80	UL1838 Low Voltage Landscape Lighting IP66

## PRODUCT DIMENSIONS



## EQ / WATTS / VA / LUMENS

EQ / W / VA / LM

**20 - 2W/3VA - 90lm**

## BEAM SPREAD & FINISH

BEAM SPREAD	FINISH
Diffused Non-Diffused	H59 Cast Brass (BR) Stainless Steel (SS)

## POWER CONSUMPTION

COLOR TEMPERATURE	VA
3000K	4
2700K	4
5000K	4
AMB*	3
BLU	4
RBL	4
GRN	4
RED*	3

INDICATES STOCKED ITEMS

## ADDITIONAL INFO

- Built in USA | Tampa, FL
- For custom light output, contact your sales associate
- \*Color Temperature Amber and Red are not Turtle Friendly; see our Turtle Friendly fixtures for more information

## PHOTOMETRICS

\*Complete IES files furnished upon request.

## FEATURES

- Overdesigned heat sink and thermal management for longevity and consistency
- Dedicated LED fixtures
- Proprietary design-enhanced and robust driver technology
- Remarkably tight binning process. 2-step MacAdam ellipse to ensure consistent light output and no variant light
- Surge protection built into every driver



OLUTRON



BUILT IN THE USA

