



LARGE WELL LIGHT

WL | WELL LIGHT



CATEGORY

LED Well Light

LED LIFE EXPECTANCY | WARRANTY

TM-21 data: Greater than **80,000 hours** (20+ years at 8 hours a day)

20 Year Warranty

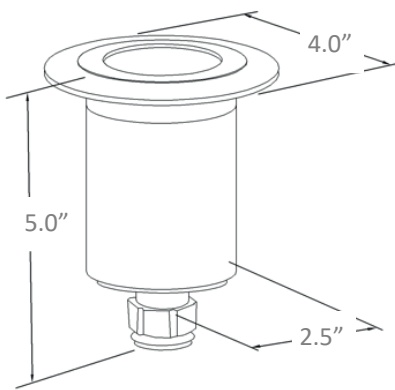
We run our fixtures **40%** cooler than LM-80 testing standards



SPECIFICATIONS

APPLICATION	CONSTRUCTION	DRIVER SYSTEM	INPUT POWER	INSTALLATION	LEAD WIRES	CRI	CERTIFICATION
Up Light Shadowing Wall Wash Silhouette Architectural Accents	6061 Aluminum C360 Solid Brass	Internal Driver	10.5-18 VAC	PVC Well Light Sleeve Included	ULECC 18 AWG Tinned Copper Wire 46 Inch Length	80	UL1838 Low Voltage Landscape Lighting IP66

PRODUCT DIMENSIONS



EQ / WATTS / VA / LUMENS

EQ / W / VA / LM
20 - 2W/4VA-160lm
35 - 4W/7VA-400lm
50 - 6W/10VA-540lm
75 - 9W/15VA-740lm

BEAM SPREAD & FINISH

BEAM SPREAD	FINISH
12° 25° 40° 60°	C360 Solid Brass (BR) Stainless Aluminum (SSA)

PHOTOMETRICS

*Complete IES files furnished upon request.

FEATURES

- Compression lens technology; no glue
- Overdesigned heat sink and thermal management for longevity and consistency
- Dedicated LED fixtures
- Machined Metal Ingot, not Cast Material
- Proprietary design-enhanced and robust driver technology
- Remarkably tight binning process. 2-step MacAdam ellipse to ensure consistent light output and no variant light
- Surge protection built into every driver

ADDITIONAL INFO

- Built in USA | Tampa, FL
- For custom light output, contact your sales associate
- **Fuchsia and Lavender require additional lead time
- *Color Temperature Amber and Red are not Turtle Friendly; see our Turtle Friendly fixtures for more information

POWER CONSUMPTION

COLOR TEMPERATURE	VA	VA	VA	VA
3000K	4	7	10	15
2700K	4	7	10	15
5000K	4	7	10	15
AMB*	6	10	11	17
BLU	6	11	11	17
RBL	4	11	11	17
GRN	6	11	11	17
RED*	4	8	8	13
FSA**	N/A	N/A	9	15
LVR**	N/A	N/A	10	16

INDICATES STOCKED ITEMS

