

PL800 LED BRASS MUSHROOM

PL800 | PATH LIGHT



CATEGORY

LED Path Light

LED LIFE EXPECTANCY | WARRANTY

TM-21 data: Greater than **80,000 hours** (20+ years at 8 hours a day)

20 Year Warranty

We run our fixtures **40%** cooler than LM-80 testing standards

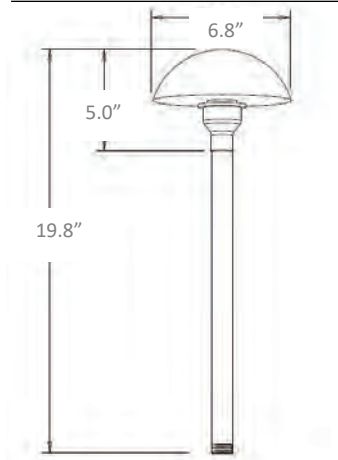


SOLID BRASS

SPECIFICATIONS

APPLICATION	CONSTRUCTION	DRIVER SYSTEM	INPUT POWER	INSTALLATION	LEAD WIRES	CRI	CERTIFICATION
Pathways Walkways Patios Small Areas	Solid Brass	External Driver	10.5-18 VAC	Ground Stake Included Optional height: 6", 12", and 19.8"	ULECC 18 AWG Tinned Copper Wire 27 Inch Length	80	UL1838 Low Voltage Landscape Lighting

PRODUCT DIMENSIONS



EQ / WATTS / VA / LUMENS

EQ / W / VA / LM
20 - 2W/5VA - 160lm

BEAM SPREAD & FINISH

BEAM SPREAD	FINISH
Flood	Solid Brass

POWER CONSUMPTION

COLOR	TEMPERATURE	VA
	3000K	5
	2700K	5
	5000K	5
	AMB*	6
	BLU	5
	RBL	5
	GRN	5
	RED*	4

INDICATES STOCKED ITEMS

PHOTOMETRICS

*Complete IES files furnished upon request.

FEATURES

- Solid Brass fixtures will patina over time they are exposed to outdoor elements
- Compression lens technology; no glue
- Overdesigned heat sink and thermal management for longevity and consistency
- Dedicated LED fixtures
- Proprietary design-enhanced and robust driver technology
- Remarkably tight binning process. 2-step MacAdam ellipse to ensure consistent light output and no variant light
- Surge protection built into every driver

ADDITIONAL INFO

- Built in USA | Tampa, FL
- For custom light output, contact your sales associate
- *Color Temperature Amber and Red are not Turtle Friendly; see our Turtle Friendly fixtures for more information

