



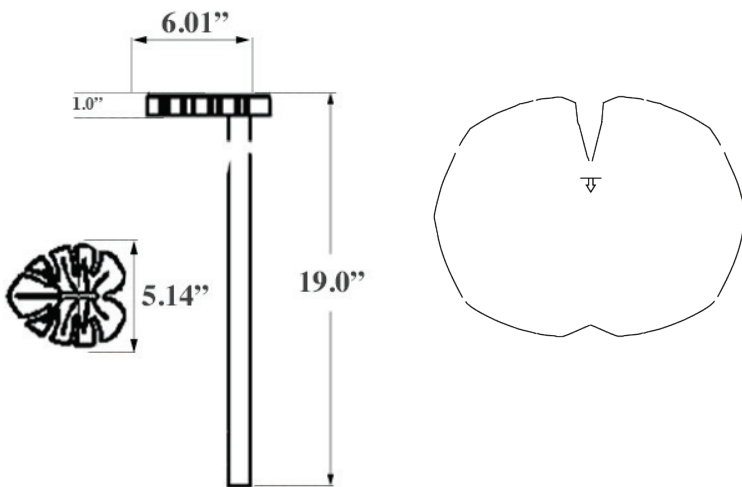
# TROPICAL LEAF | Path Light

## PRODUCT DESCRIPTION

Ideal for pathways, walkways, patios, and small areas.

The tropical leaf shaped LED landscape pathway light offers a unique lighting fixture design that is perfect for all outdoor spaces, patios, and walkways particularly when customers have tropical plant life as part of their natural landscaping.

## PRODUCT DIMENSIONS & BEAM SPREAD



## POWER CONSUMPTION

COLOR TEMPERATURE	WATTAGE	VA	LUMENS
● 3000K*	1W	2VA	115LM

## ADDITIONAL COLOR TEMPERATURE OPTIONS

- 2700K
- 5000K
- Amber
- Blue
- Royal Blue
- Green
- Red

## FEATURES & BENEFITS

- Built in the U.S.A.
- CNC-machined from 6061 aircraft-grade aluminum.
- U.S.A. made light engine and driver.
- Built in surge protector.
- IP67 rated.
- CREE 2 step binned LEDs with L70 over 80,000 hours.

## SPECIFICATIONS

- **Construction:** 6061 aircraft-grade aluminum
- **Finishes:** Architectural Bronze (AB), Black (BLK), Stainless Aluminum (SSA)
- **Lead Wire:** 38" 22 AWG tinned copper
- **Mounting:** 8.5" LV131 ground stake
- **Driver System:** External
- **Operating Voltage:** 10.5-18 VAC
- **CRI:** 80+
- **Beam Spread:** 120°

## WARRANTY

20 Year Limited Warranty

## CERTIFICATIONS



Tested to UL standards.

\*Indicates stocked items. Non-stocked items require 5-7 business days additional lead time, special order deposit and are non-refundable.

IES files can be found at [www.gardenlightled.com](http://www.gardenlightled.com)