



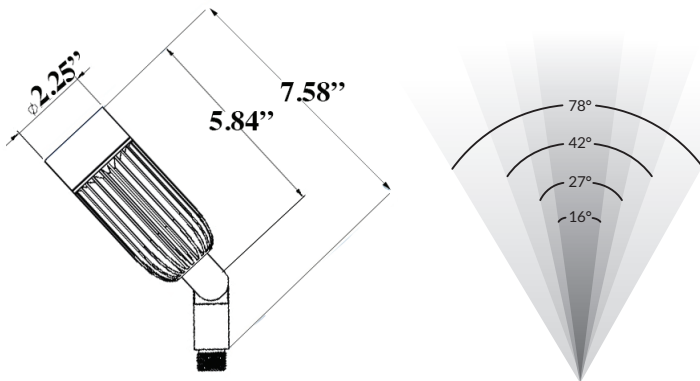
X5 | High Power Spotlight

PRODUCT DESCRIPTION

Ideal for uplighting, shadowing, wall washing, silhouetting, and architectural accents.

Gone are the bulky high voltage commercial grade lighting solutions. The X5 High Power Spotlight is an excellent flood light option. Great for lighting large tree canopies, structures, buildings and cast outdoor areas. The X5 can produce up to 1500 lumens!

PRODUCT DIMENSIONS & BEAM SPREADS



OPTIONAL SHROUD AVAILABLE



FEATURES & BENEFITS

- Built in the U.S.A.
- CNC-machined from 6061 aircraft-grade aluminum.
- U.S.A. made light engine and driver.
- Built in surge protector.
- Adjustable knuckle for ease of light positioning.
- Compression fit lens.
- Breathable ant guard to eliminate insect infestation.
- Double silicone o-ring gaskets for a tight-fitting shroud.
- IP66 rated.
- CREE 2 step binned LEDs with L70 over 80,000 hours.

SPECIFICATIONS

- **Construction:** 6061 aircraft-grade aluminum
- **Finishes:** Architectural Bronze (AB), Black (BLK), Stainless Aluminum (SSA)
- **Lead Wire:** 39" 18 AWG tinned copper
- **Mounting:** 8" LV180 ground stake
- **Lens:** Clear flat
- **Driver System:** External
- **Operating Voltage:** 10.5-18 VAC
- **CRI:** 80+
- **Beam Spreads:** 16°, 27°, 42°, 78°

POWER CONSUMPTION

COLOR TEMPERATURE	WATTAGE	VA	LUMENS
● 3000K*	11W 15W	14VA 18VA	1000LM 1500LM

WARRANTY

20 Year Limited Warranty

CERTIFICATIONS



Tested to UL standards.

Intertek

*Indicates stocked items.

IES files can be found at www.gardenlightled.com