



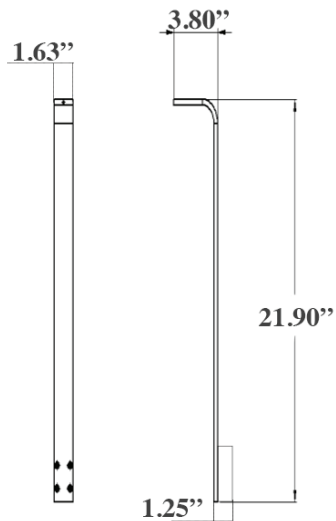
P1.90 | Curved Path Light

PRODUCT DESCRIPTION

Ideal for pathways, walkways, patios, and small areas.

The P1.90 curved pathway light is the solution for all your residential and commercial projects. The curved, 90-degree angle casts a wide spread of light onto any surface providing the perfect amount of illumination.

PRODUCT DIMENSIONS



FEATURES & BENEFITS

- Built in the U.S.A.
- CNC-machined from 6061 aircraft-grade aluminum.
- U.S.A. made light engine and driver.
- Built in surge protector.
- Tempered frosted glass.
- IP66 rated.
- CREE 2 step binned LEDs with L70 over 80,000 hours.

SPECIFICATIONS

- **Construction:** 6061 aircraft-grade aluminum
- **Finishes:** Architectural Bronze (AB), Black (BLK), Stainless Aluminum (SSA)
- **Lead Wire:** 36" 18AWG tinned copper
- **Mounting:** 8" LV180 ground stake
- **Lens:** Frosted flat
- **Driver System:** Internal
- **Operating Voltage:** 10.5-18 VAC
- **CRI:** 80+
- **Beam Spread:** 120°
- **Accessories:** Surface mount (not included)



POWER CONSUMPTION

COLOR TEMPERATURE	WATTAGE	VA	LUMENS
● 3000K*	2W	5VA	230LM

ADDITIONAL COLOR TEMPERATURE OPTIONS

- 2700K ● 5000K ● Amber ● Blue ● Royal Blue
- Green ● Red

WARRANTY

20 Year Limited Warranty

CERTIFICATIONS



Tested to UL standards.

*Indicates stocked items. Non-stocked items require 5-7 business days additional lead time, special order deposit and are non-refundable.