



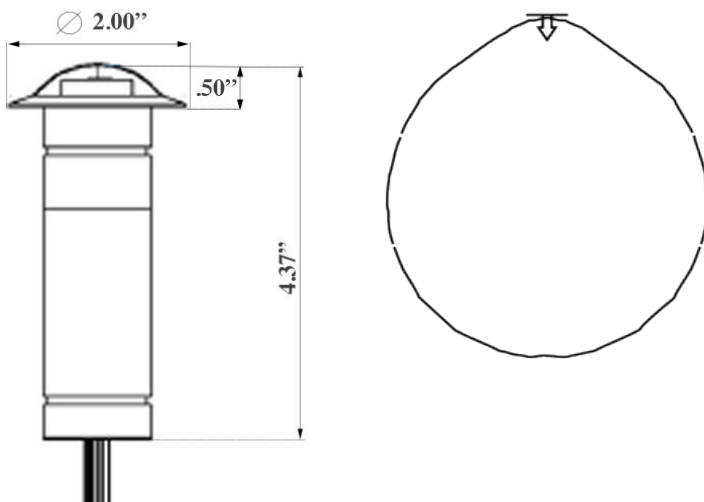
HAWK EYE | Predator Series Recessed Light

PRODUCT DESCRIPTION

Ideal for architectural accents and stairs.

The Hawk Eye is a great choice when tasked to create an elegant yet safe design. This light casts the perfect beam of light forward and side to side creating depth and perspective.

PRODUCT DIMENSIONS & BEAM SPREADS



FEATURES & BENEFITS

- Built in the U.S.A.
- CNC-machined from 6061 aircraft-grade aluminum or raw brass.
- U.S.A. made light engine and driver.
- Built in surge protector.
- Strong enough to withstand pressure washers.
- IP67 rated.
- CREE 2 step binned LEDs with L70 over 80,000 hours.

SPECIFICATIONS

- **Construction:** 6061 aircraft-grade aluminum or raw brass
- **Finishes:** Stainless Aluminum (SSA), Brass (BR)
- **Lead Wire:** 36" 18 AWG tinned copper
- **Lens:** Frosted flat
- **Driver System:** Internal
- **Operating Voltage:** 10.5-18 VAC
- **CRI:** 80+



BR

SSA

COLOR TEMPERATURE	WATTAGE	VA	LUMENS
● 3000K*	2W	5VA	115LM

ADDITIONAL COLOR TEMPERATURE OPTIONS

- 2700K ● 5000K ● Amber ● Blue ● Royal Blue
- Green ● Red

WARRANTY

20 Year Limited Warranty

CERTIFICATIONS



Intertek

Tested to UL standards.

*Indicates stocked items. Non-stocked items require 5-7 business days additional lead time, special order deposit and are non-refundable.

IES files can be found at www.gardenlightled.com