



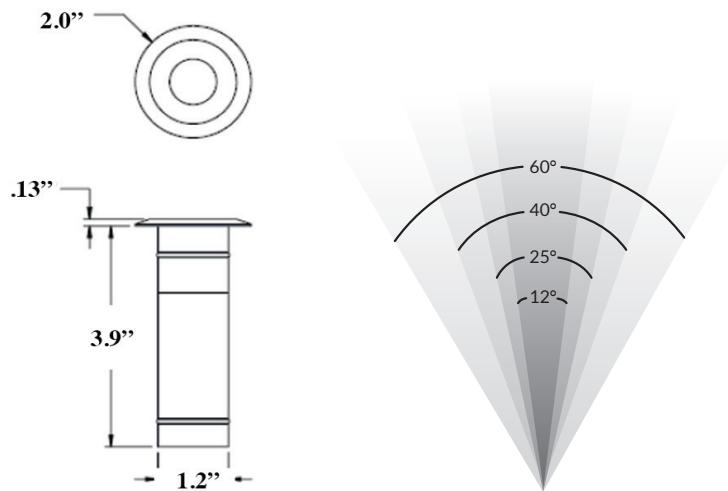
MWL | Mini Well Light

PRODUCT DESCRIPTION

Ideal for uplighting, shadowing, wall washing, silhouetting, and architectural accents.

Good things really do come in small packages. The Mini Well Light has a variety of uses with its flush-mount installation directly into any surface. Unobtrusive and powerful, this fixture is built to last a lifetime.

PRODUCT DIMENSIONS & BEAM SPREADS



COLOR TEMPERATURE	WATTAGE	VA	LUMENS
● 3000K*	2W	5VA	230LM

ADDITIONAL COLOR TEMPERATURE OPTIONS

- 2700K ● 5000K ● Amber ● Blue ● Royal Blue
- Green ● Red

WARRANTY

20 Year Limited Warranty

CERTIFICATIONS



Tested to UL standards.

Intertek

*Indicates stocked items. Non-stocked items require 5-7 business days additional lead time, special order deposit and are non-refundable.

IES files can be found at www.gardenlightled.com

FEATURES & BENEFITS

- Built in the U.S.A.
- CNC-machined from 6061 aircraft-grade aluminum or raw brass.
- U.S.A. made light engine and driver.
- Built in surge protector.
- Strong enough to withstand pressure washers.
- IP67 rated.
- CREE 2 step binned LEDs with L70 over 80,000 hours.

SPECIFICATIONS

- **Construction:** 6061 aircraft-grade aluminum or raw brass
- **Finishes:** Stainless Aluminum (SSA), Brass (BR)
- **Lead Wire:** 36" 18 AWG tinned copper
- **Lens:** Clear flat
- **Driver System:** Internal
- **Operating Voltage:** 10.5-18 VAC
- **CRI:** 80+
- **Beam Spreads:** 12°, 25°, 40°, 60°