



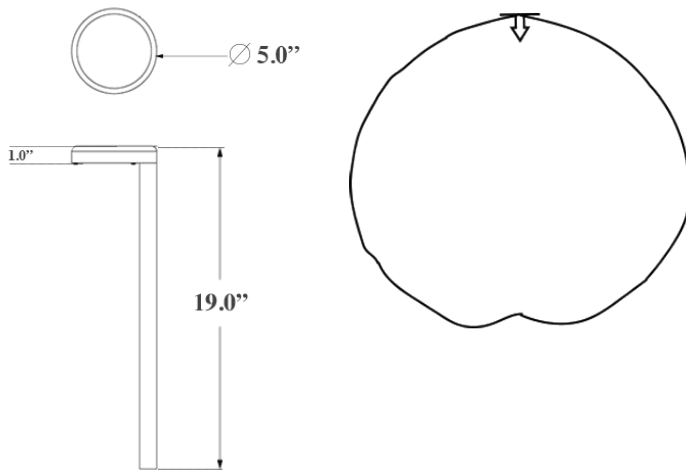
# P12 | Path Light

## PRODUCT DESCRIPTION

Ideal for pathways, walkways, patios, and small areas.

Contemporary yet versatile, this extraordinary P12 Path Light can fit into any style architecture from modern to traditional. Great modern and machined path lighting adding a contemporary solution to a wide range of architecture.

## PRODUCT DIMENSIONS & BEAM SPREAD



## FEATURES & BENEFITS

- Built in the U.S.A.
- CNC-machined from 6061 aircraft-grade aluminum or raw brass.
- U.S.A. made light engine and driver.
- Built in surge protector.
- IP66 rated.
- CREE 2 step binned LEDs with L70 over 80,000 hours.

## SPECIFICATIONS

- **Construction:** 6061 aircraft-grade aluminum or raw brass
- **Finishes:** Architectural Bronze (AB), Black (BLK), Stainless Aluminum (SSA), Brass (BR)
- **Lead Wire:** 36" 18 AWG tinned copper
- **Mounting:** 8.5" LV131 ground stake
- **Driver System:** External
- **Operating Voltage:** 10.5-18 VAC
- **CRI:** 80+
- **Beam Spread:** 120°



## POWER CONSUMPTION

COLOR TEMPERATURE	WATTAGE	VA	LUMENS
● 3000K*	2W	5VA	230LM

## ADDITIONAL COLOR TEMPERATURE OPTIONS

- 2700K ● 5000K ● Amber ● Blue ● Royal Blue
- Green ● Red

## WARRANTY

20 Year Limited Warranty

## CERTIFICATIONS



Tested to UL standards.

\*Indicates stocked items. Non-stocked items require 5-7 business days additional lead time, special order deposit and are non-refundable.

IES files can be found at [www.gardenlightled.com](http://www.gardenlightled.com)