



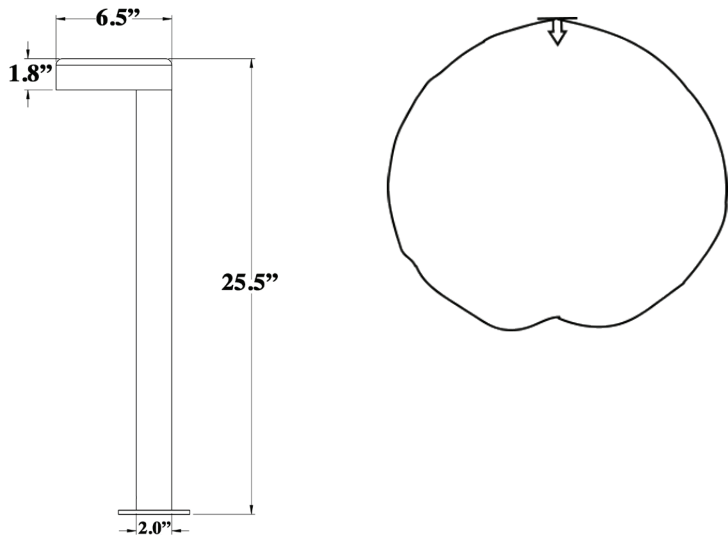
P11 | Path Light

PRODUCT DESCRIPTION

Ideal for pathways, walkways, patios, and large areas.

Our P11 path light was created specifically for commercial applications. From business buildings to hotels, this state-of-the-art fixture can produce up to 2000 lumens!

PRODUCT DIMENSIONS & BEAM SPREAD



FEATURES & BENEFITS

- Built in the U.S.A.
- CNC-machined from 6061 aircraft-grade aluminum.
- U.S.A. made light engine and driver.
- Built in surge protector.
- IP66 rated.
- CREE 2 step binned LEDs with L70 over 80,000 hours.

SPECIFICATIONS

- **Construction:** 6061 aircraft-grade aluminum
- **Finishes:** Architectural Bronze (AB), Black (BLK), Stainless Aluminum (SSA)
- **Lead Wire:** 36" 18 AWG tinned copper
- **Post Sizes:** 24" or 36"
- **Driver System:** External
- **Operating Voltage:** 10.5-18 VAC
- **CRI:** 80+
- **Beam Spread:** Flood
- **Accessories:** Mounting base or heavy duty stake (not included)



POWER CONSUMPTION

COLOR TEMPERATURE	WATTAGE	VA	LUMENS
● 3000K*	3W	6VA	340LM
	9W	10VA	540LM
	12W	15VA	1700LM
	15W	18VA	2000LM

ADDITIONAL COLOR TEMPERATURE OPTIONS

- 2700K ● 5000K ● Amber** ● Blue ● Royal Blue
- Green ● Red**

WARRANTY

20 Year Limited Warranty

CERTIFICATIONS



Tested to UL standards.

*Indicates stocked items. Non-stocked items require 5-7 business days additional lead time, special order deposit and are non-refundable.
**Amber and red not available in 9W, 12W or 15W.

IES files can be found at www.gardenlightled.com