

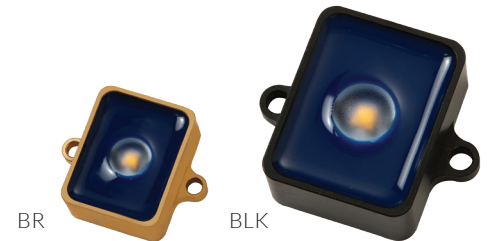


MM15-II | Micro Max

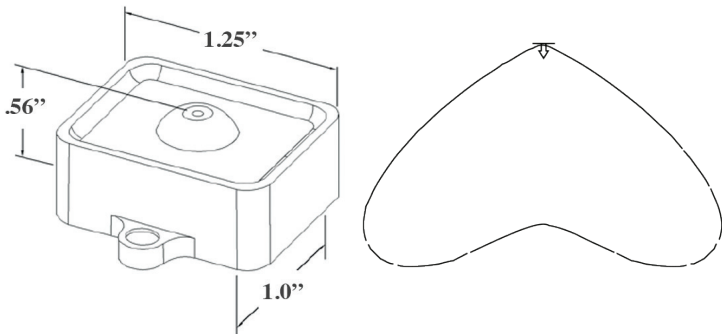
PRODUCT DESCRIPTION

Ideal for railings, water features, ceiling beam downlighting, walkways, decks, gazebos, statues, planters, lanais, fences, fire pits and benches.

The Micro Max is an LED luminaire you simply cannot get anywhere else. The potential applications for this small outdoor landscape lighting product are as unlimited as the imagination. Small and powerful, this fixture can add life to water features and safety to the areas that surround it.



PRODUCT DIMENSIONS & BEAM SPREAD



FEATURES & BENEFITS

- Built in the U.S.A.
- CNC-machined from 6061 aircraft-grade aluminum or raw brass.
- U.S.A. made light engine and driver.
- Built in surge protector.
- IP67 rated. *(Fully submersible option available upon special order request)*
- CREE 2 step binned LEDs with L70 over 80,000 hours.

SPECIFICATIONS

- **Construction:** 6061 aircraft-grade aluminum or raw brass
- **Finishes:** Black (BLK), Brass (BR)
- **Lead Wire:** 60" 22 AWG tinned copper
- **Driver System:** Internal
- **Operating Voltage:** 10.5-18 VAC
- **CRI:** 80+
- **Beam Spread:** 120°
- **Accessories:** Full or front shields (not included)

POWER CONSUMPTION

COLOR TEMPERATURE	WATTAGE	VA	LUMENS
● 3000K*	1W	2VA	115LM

ADDITIONAL COLOR TEMPERATURE OPTIONS

- 2700K ● 5000K ● Amber ● Blue ● Royal Blue
- Green ● Red

WARRANTY

20 Year Limited Warranty

CERTIFICATIONS



Tested to UL standards.

**Indicates stocked items. Non-stocked items require 5-7 business days additional lead time, special order deposit and are non-refundable.*

IES files can be found at www.gardenlightled.com