



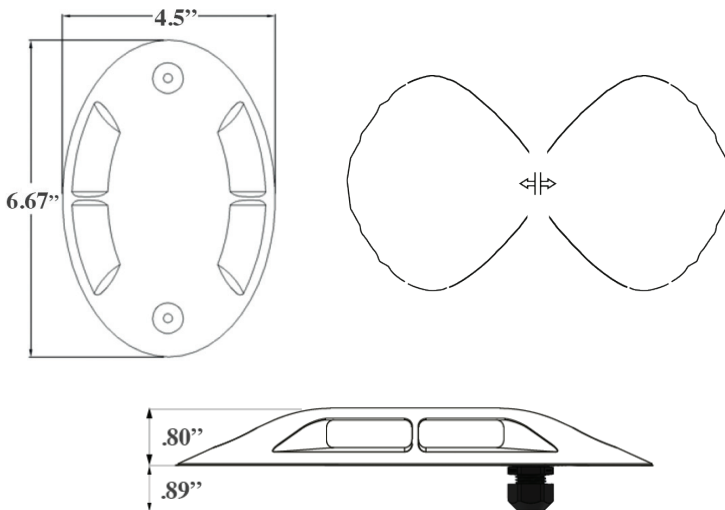
X-LIGHT DBL | Double Sided

PRODUCT DESCRIPTION

Ideal for pathways, wall sconces, patios, docks, and driveways.

Garden Light LED's latest innovation, the ultra-low-profile X-Light is perfect for hardscapes, docks, walkways, and driveways. This sleek modern design is less than 1" tall and is available in brass and stainless steel.

PRODUCT DIMENSIONS & BEAM SPREADS



SS



BR

POWER CONSUMPTION

COLOR TEMPERATURE	WATTAGE	VA	LUMENS
● 3000K*	2W	4VA	90LM

ADDITIONAL COLOR TEMPERATURE OPTIONS

- 2700K ● 5000K ● Amber ● Blue ● Royal Blue
- Green ● Red

WARRANTY

20 Year Limited Warranty

CERTIFICATIONS



Tested to UL standards.

*Indicates stocked items. Non-stocked items require 5-7 business days additional lead time, special order deposit and are non-refundable.

IES files can be found at www.gardenlightled.com

FEATURES & BENEFITS

- Built in the U.S.A.
- Made from stainless steel or brass.
- U.S.A. made light engine and driver.
- Built in surge protector.
- Neoprene seal to prevent leaks.
- IP67 rated.
- CREE 2 step binned LEDs with L70 over 80,000 hours.

SPECIFICATIONS

- **Construction:** Stainless steel or brass
- **Finishes:** Stainless Steel (SS), Brass (BR)
- **Lead Wire:** 60" 18 AWG tinned copper
- **Mounting:** Surface plate
- **Driver System:** Internal
- **Operating Voltage:** 10.5-18 VAC
- **CRI:** 80+
- **Optics:** Diffused and Non-Diffused