



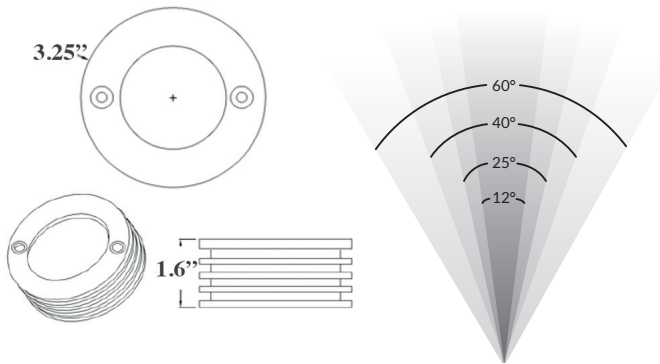
S2 | Super Saturn

PRODUCT DESCRIPTION

Ideal for uplighting, downlighting, shadowing, wall washing, silhouetting, and architectural accents.

The S2 Super Saturn is our Visionary 2 series lighting re-designed in a surface mount housing. This light opens up a whole new range of opportunities landscape accenting and highlighting water features.

PRODUCT DIMENSIONS & BEAM SPREADS



FEATURES & BENEFITS

- Built in the U.S.A.
- CNC-machined from 6061 aircraft-grade aluminum or raw brass.
- U.S.A. made light engine and driver.
- Built in surge protector.
- IP67 rated.
- CREE 2 step binned LEDs with L70 over 80,000 hours.

SPECIFICATIONS

- **Construction:** 6061 aircraft-grade aluminum or raw brass
- **Finishes:** Black (BLK), Stainless Aluminum (SSA), Brass (BR)
- **Lead Wire:** 36" 18 AWG tinned copper
- **Lens:** Clear flat
- **Driver System:** External
- **Operating Voltage:** 10.5-18 VAC
- **CRI:** 80+
- **Beam Spreads:** 12°, 25°, 40°, 60°
- **Accessories:** Swivel mounting bracket (not included)

POWER CONSUMPTION

| COLOR TEMPERATURE | WATTAGE | VA | LUMENS |
|-------------------|---------|------|--------|
| ● 3000K* | 1W | 2VA | 210LM |
| | 3W | 6VA | 340LM |
| | 6W | 10VA | 480LM |

ADDITIONAL COLOR TEMPERATURE OPTIONS

- 2700K ● 5000K ● Amber ● Blue ● Royal Blue
- Green ● Red ● Fuchsia ● Lavender

WARRANTY

20 Year Limited Warranty

CERTIFICATIONS



Intertek

Tested to UL standards.

**Indicates stocked items. Non-stocked items require 5-7 business days additional lead time, special order deposit and are non-refundable. Fuchsia and Lavender require additional lead time above the standard 5-7 business days.*

IES files can be found at www.gardenlightled.com