



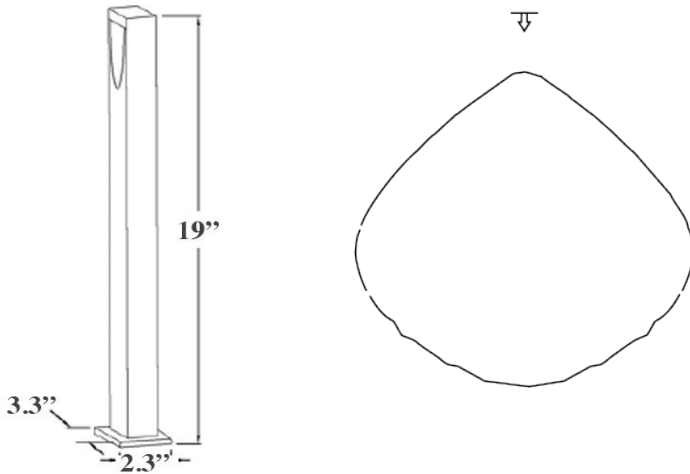
# P4 | Path Light

## PRODUCT DESCRIPTION

Ideal for pathways, walkways, patios, and small areas.

Standing at 19" tall, the P4 path light is the big brother to our P3 path light. With a wider spread than its counter part, this path light can be used for a variety of applications for customers looking for a modern feel.

## PRODUCT DIMENSIONS & BEAM SPREAD



SSA

## FEATURES & BENEFITS

- Built in the U.S.A.
- CNC-machined from 6061 aircraft-grade aluminum.
- U.S.A. made light engine and driver.
- Built in surge protector.
- Tempered frosted glass.
- IP66 rated.
- CREE 2 step binned LEDs with L70 over 80,000 hours.

## SPECIFICATIONS

- **Construction:** 6061 aircraft-grade aluminum
- **Finishes:** Stainless Aluminum (SSA)
- **Lead Wire:** 36" 18 AWG tinned copper
- **Mounting:** Surface mount
- **Lens:** Frosted flat
- **Driver System:** External
- **Operating Voltage:** 10.5-18 VAC
- **CRI:** 80+
- **Beam Spread:** Flood

## POWER CONSUMPTION

COLOR TEMPERATURE	WATTAGE	VA	LUMENS
● 3000K*	2W	5VA	160LM

## ADDITIONAL COLOR TEMPERATURE OPTIONS

- 2700K ● 5000K ● Amber ● Blue ● Royal Blue
- Green ● Red

## WARRANTY

20 Year Limited Warranty

## CERTIFICATIONS



Tested to UL standards.

\*Indicates stocked items. Non-stocked items require 5-7 business days additional lead time, special order deposit and are non-refundable.

IES files can be found at [www.gardenlightled.com](http://www.gardenlightled.com)