



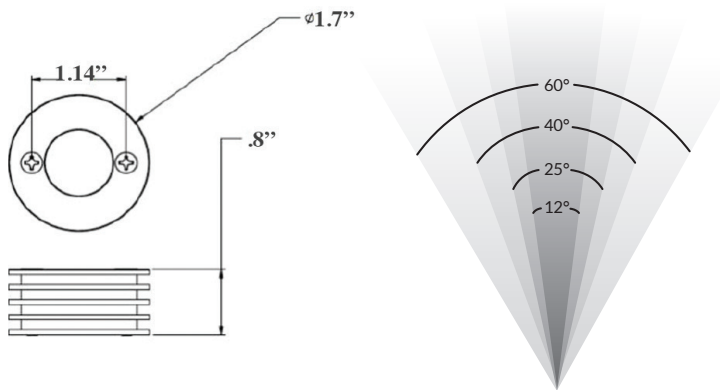
S1 | Mini Saturn

PRODUCT DESCRIPTION

Ideal for uplighting, shadowing, wall washing, silhouetting, architectural accents, and downlighting.

The S1 Mini Saturn has a clean and compact design but packs a powerful punch. This fixture is perfect for just about anywhere.

PRODUCT DIMENSIONS & BEAM SPREADS



FEATURES & BENEFITS

- Built in the U.S.A.
- CNC-machined from 6061 aircraft-grade aluminum or raw brass.
- U.S.A. made light engine and driver.
- Built in surge protector.
- IP66 rated.
- CREE 2 step binned LEDs with L70 over 80,000 hours.

SPECIFICATIONS

- **Construction:** 6061 aircraft-grade aluminum or raw brass
- **Finishes:** Black (BLK), Brass (BR)
- **Lead Wire:** 36" 18 AWG tinned copper
- **Lens:** Clear flat
- **Driver System:** External
- **Operating Voltage:** 10.5-18 VAC
- **CRI:** 80+
- **Beam Spreads:** 12°, 25°, 40°, 60°
- **Accessories:** Swivel mounting bracket or shroud (not included)



POWER CONSUMPTION

COLOR TEMPERATURE	WATTAGE	VA	LUMENS
● 3000K*	2W	5VA	180LM

ADDITIONAL COLOR TEMPERATURE OPTIONS

- 2700K ● 5000K ● Amber ● Blue ● Royal Blue
- Green ● Red

WARRANTY

20 Year Limited Warranty

CERTIFICATIONS



Tested to UL standards.

*Indicates stocked items. Non-stocked items require 5-7 business days additional lead time, special order deposit and are non-refundable.

IES files can be found at www.gardenlightled.com