



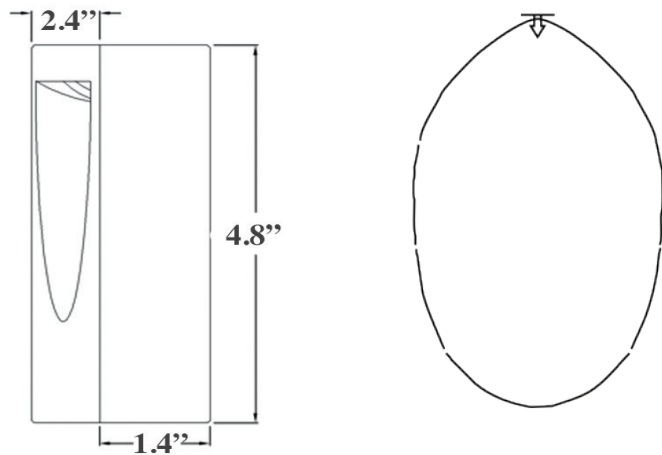
P3 | Path Light

PRODUCT DESCRIPTION

Ideal for pathways, walkways, patios, and small areas.

The sleek, low profile P3 path light is a fixture you just cannot get anywhere else. Add this path light to your line-up and stand apart from traditional lighting fixtures. Don't let its size fool you. This fixture casts a large spread of light onto horizontal surfaces.

PRODUCT DIMENSIONS & BEAM SPREAD



FEATURES & BENEFITS

- Built in the U.S.A.
- CNC-machined from 6061 aircraft-grade aluminum or raw brass.
- U.S.A. made light engine and driver.
- Built in surge protector.
- Tempered frosted glass.
- IP66 rated.
- CREE 2 step binned LEDs with L70 over 80,000 hours.

SPECIFICATIONS

- **Construction:** 6061 aircraft-grade aluminum or raw brass
- **Finishes:** Architectural Bronze (AB), Black (BLK), Stainless Aluminum (SSA), Brass (BR)
- **Lead Wire:** 36" 18AWG tinned copper
- **Mounting:** 8" LV180 ground stake
- **Lens:** Frosted flat
- **Driver System:** External
- **Operating Voltage:** 10.5-18 VAC
- **CRI:** 80+
- **Beam Spread:** Flood
- **Accessories:** Surface mount (not included)



POWER CONSUMPTION

COLOR TEMPERATURE	WATTAGE	VA	LUMENS
● 3000K*	2W	5VA	160LM

ADDITIONAL COLOR TEMPERATURE OPTIONS

- 2700K ● 5000K ● Amber ● Blue ● Royal Blue
- Green ● Red

WARRANTY

20 Year Limited Warranty

CERTIFICATIONS



Tested to UL standards.

*Indicates stocked items. Non-stocked items require 5-7 business days additional lead time, special order deposit and are non-refundable.

IES files can be found at www.gardenlightled.com